



LAWA DESIGN GUIDELINES FOR LINEAR LAVATORIES

Table of Contents

Cover	
Index	Sheet A
Introduction	Sheet B
Stand Alone Modules	Sheet C
Ganged Modules	Sheet D
Limited Space Configurations	Sheet E
Materials, Finishes, Hardware and Accessories	Sheet F, G
Plans, Elevations Section and Detail Sketches	SK01 to SK20

Introduction

Over the last several months a great deal of effort has been expended to develop a linear lavatory design that is compatible with the New LAWA Toilet Room Standards. This guideline document is the culmination of that effort and is to be used in laying out future public toilet rooms through LAX.

The design reflected in this document has been developed to address, LAWA's aesthetic vision for the future, ergonomics, compliance with ADA, convenience, durability, aesthetics, durability of materials, performance and ease of maintenance. To the greatest extent possible it is prescriptive to insure consistency which best serves LAWA.

There a number of significant elements to the approved design. One of the most significant is the incorporation of multiple thru counter trash drops immediately adjacent to each wash station to minimize water on the floor and maximize hidden waste towel capacity. Another significant element of the design is the incorporation of a shelf above and behind the cleaning station immediately under the mirror. The following is a list of significant elements that are important to the multitude of stakeholders who have been a part of this exercise.

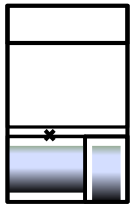
1. Ergonomics
2. ADA compliance
3. One to one relationship of wash stations to trash drops
4. Purse shelf
5. Mechanically fastened framed mirrors
6. Continuous recessed linear light fixture
7. 30 inch tall trash receptacles with no surrounding enclosure
8. No stainless steel ring at trash drop
9. Easily removable, light weight, keyed stainless steel skirt panels to conceal plumbing
10. White solid surface material lavatory (Dupont Corian: Antarctic or equivalent)
11. Wall mounted automatic faucet with polished chrome finish
12. Wall mounted pump soap dispenser with polished chrome finish
13. Easily accessible Bobrick concealed soap reservoir
14. Solid surface drain cover
15. Semi recessed paper towel dispenser

Layout and Configuration

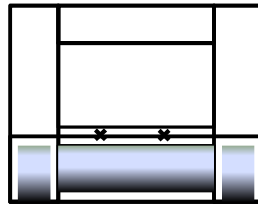
In new toilet room layouts the use of standard lavatory/trash drop configurations are mandated. Where space constraints make compliance with the preferred standard layout of wash stations and trash drops, in either stand alone or ganged configuration, non-standard layout configurations may be used with LAWA authorization. LAWA authorization will be on a case by case basis. Permission to deviate from the standard in one location is not universal or applicable to other toilet room layouts.

Stand-Alone Modules

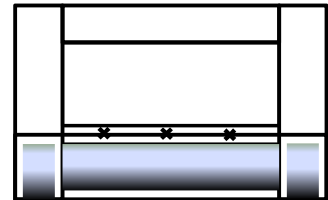
There are three Standard Stand-Alone Modules; A Standard Single, Double and Triple Module. The Standard Single Module is asymmetrical with a trash drop to the side of a single wash station and a wall to wall mirror and purse shelf. The Standard Double and Triple Modules are symmetrical with trash drops flanking two wash stations.



Single



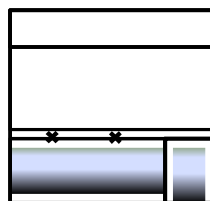
Double



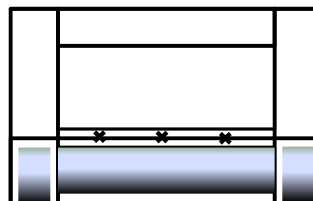
Triple

Non-Standard Stand-Alone Modules

There are two atypical Non-Standard Stand-Alone Modules for use where space and/or fixture requirements make compliance with the preferred standard layout of wash stations and trash drops impossible or excessive. The Non-Standard Double has two wash stations with a single trash drop to one side and a wall to wall purse shelf and mirror. The Non-Standard Triple has three wash stations with trash drops at each end.



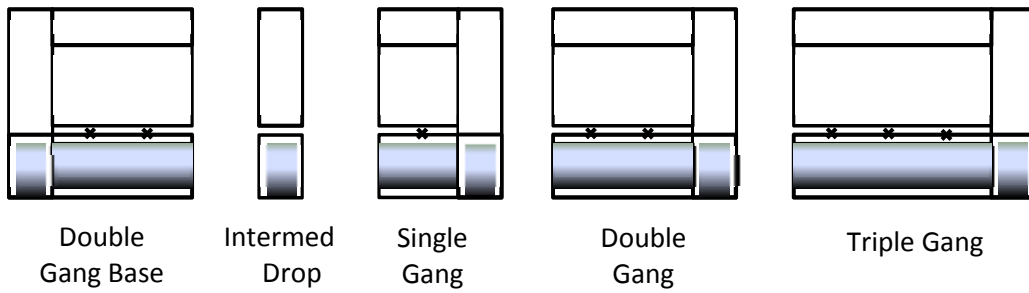
Double



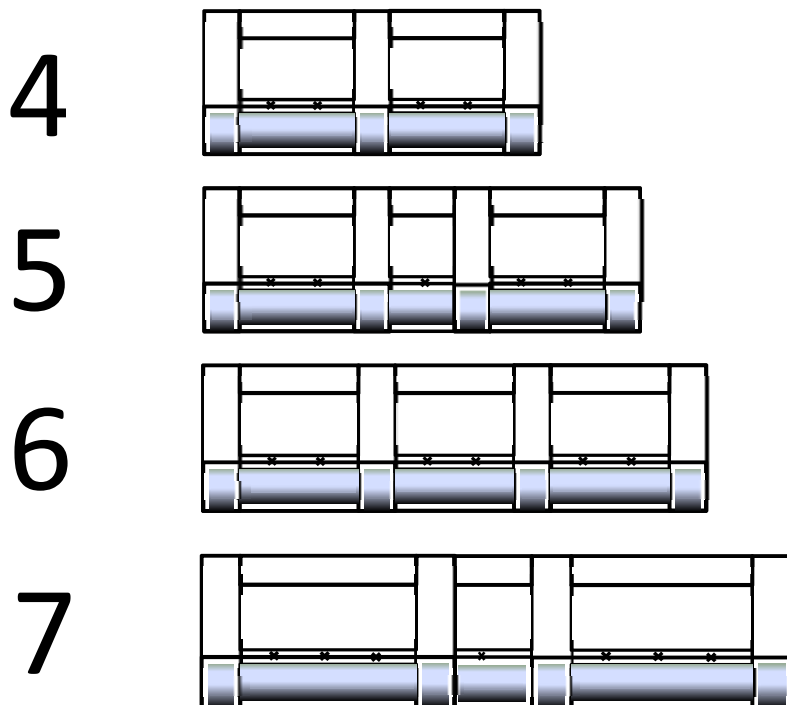
Triple

Standard Gang Configurations

Where more than three wash (lavatory) stations are required, standard single, double and triple gang modules are to be ganged together or added to a Double Gang Base Module.



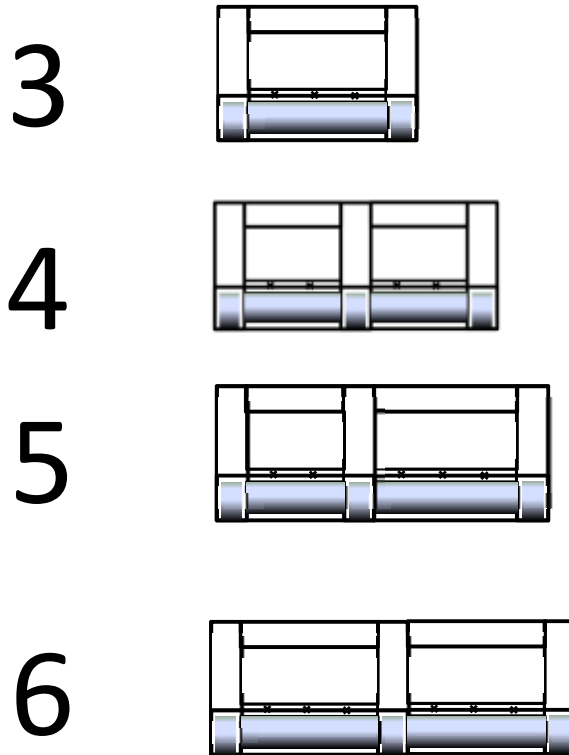
Standard Ganged Configurations for 4, 5, 6 and 7 wash station configurations are shown for your convenience.



Limited Space Applications

Limited Width

The following are Non-standard Gang Configurations for use where space constraints make compliance with the preferred standard gang configurations **impossible** the following can be used with LAWA authorization.



Non-Standard Gang Configurations

Limited Depth

In existing space constraints in existing toilets make compliance with the preferred lavatory with purse shelf **impossible**, the purse shelf may be omitted and all other aspects of the design remain unchanged. This will save approximately 9 inches in depth but makes it impossible to mount the soap reservoir under the trash drop as preferred. In such cases a remote location must be found in the immediate area for the soap reservoir. In some cases the reservoir may be located in an adjacent janitor's closet, under the counter in the family restroom or a designated closet accessible to maintenance staff.

Materials, Finishes, Hardware, Fixtures and Accessories

Tile:	Product: Ceramic white rectilinear tile. Installation: stack bond preferred.
Grout:	Product: Urethane Based Grout (non- sanded) Finish: White
End Wall Cap:	Product: 14 Gauge, 304 Stainless Steel Finish: No. 6 Brushed
Tile Corner:	Product: Schluter Jolly Trim (or equal) Finish: Stainless Steel or PVC White.
Solid Surface Material:	Product: Du Pont Corian (or equal) Finish: Antarctica White
Stainless Steel Skirt:	Product: 304 Stainless Steel adhered to ½” phenolic panel backing. Finish: Stamped Pattern 5wl

Hardware

Lock:	Product: Keyed Cam Lock with removable Key Core per LAWA Standards. Finish: Chrome Plated
Hinges:	Product: 2-1/4” – 3” Lift-Off Case Hinges Finish: 304 Stainless Steel

Fixtures

Automatic Faucet:	Product: Wall Mounted Electronic Sensor Faucet, Finish: Polish Chrome. Reference: Section 22 40 00-Plumbing Fixtures of the LAWA DCH
Soap Dispenser:	Product: Wall Mounted Pump Activated Soap Dispenser Finish: Polished chrome. Reference: Section 22 40 00 Plumbing Fixtures, LAWA DCH

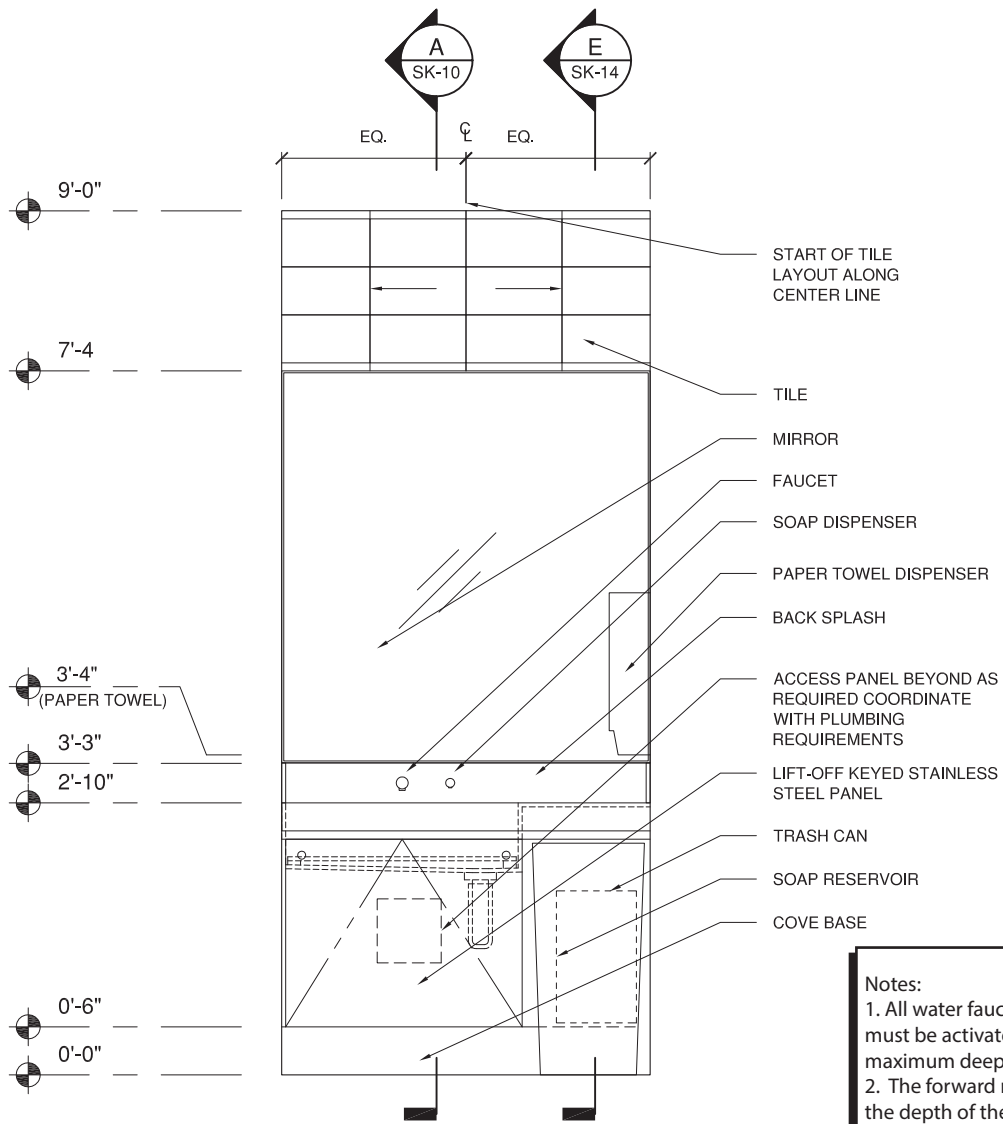
Accessories

Trash Can:	Product: 14 x 14 x 30 Stainless Steel Trash Bin Finish: Brushed Reference: Section 10 28 00 Toilet Accessories, LAWA DCH
Towel Dispenser:	Product : Finish: Brushed Stainless Steel Reference Section 10 28 00 Toilet Accessories, LAWA DCH

Accessories Cont.:

Soap Delivery System: Product: Soap Dispensing System
Reference Section 10 28 00 Toilet Accessories, LAWA DCH

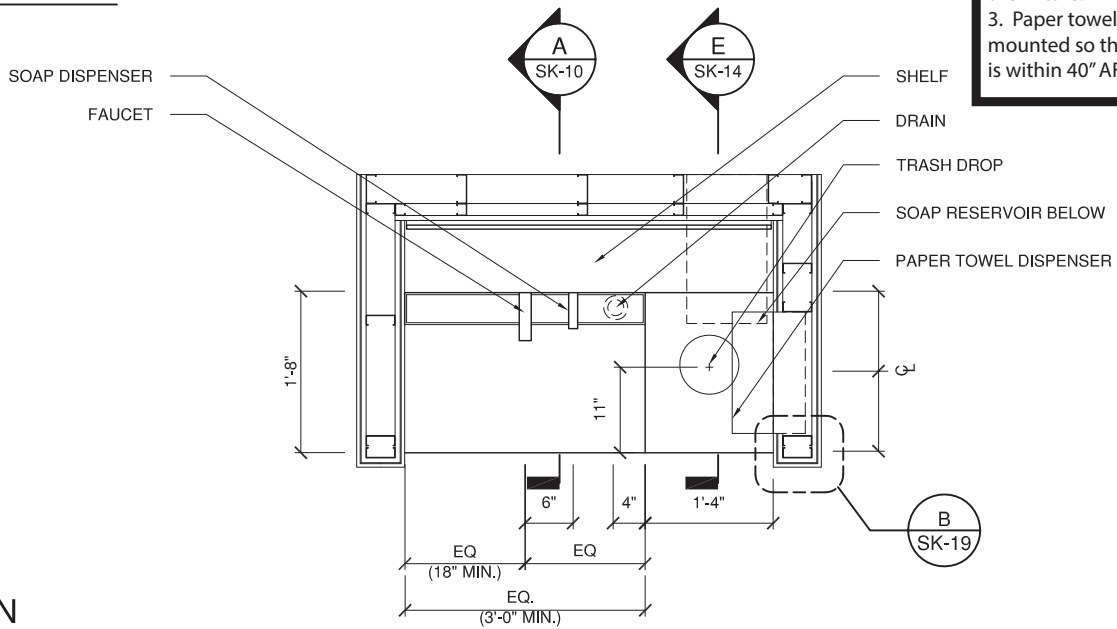
Mirror: Product: Mechanically Hung Vandal Resistant Framed Mirror
Finish: Polished SS Frame
Reference: Section 10 28 00 Toilet Accessories, LAWA DCH



Notes:

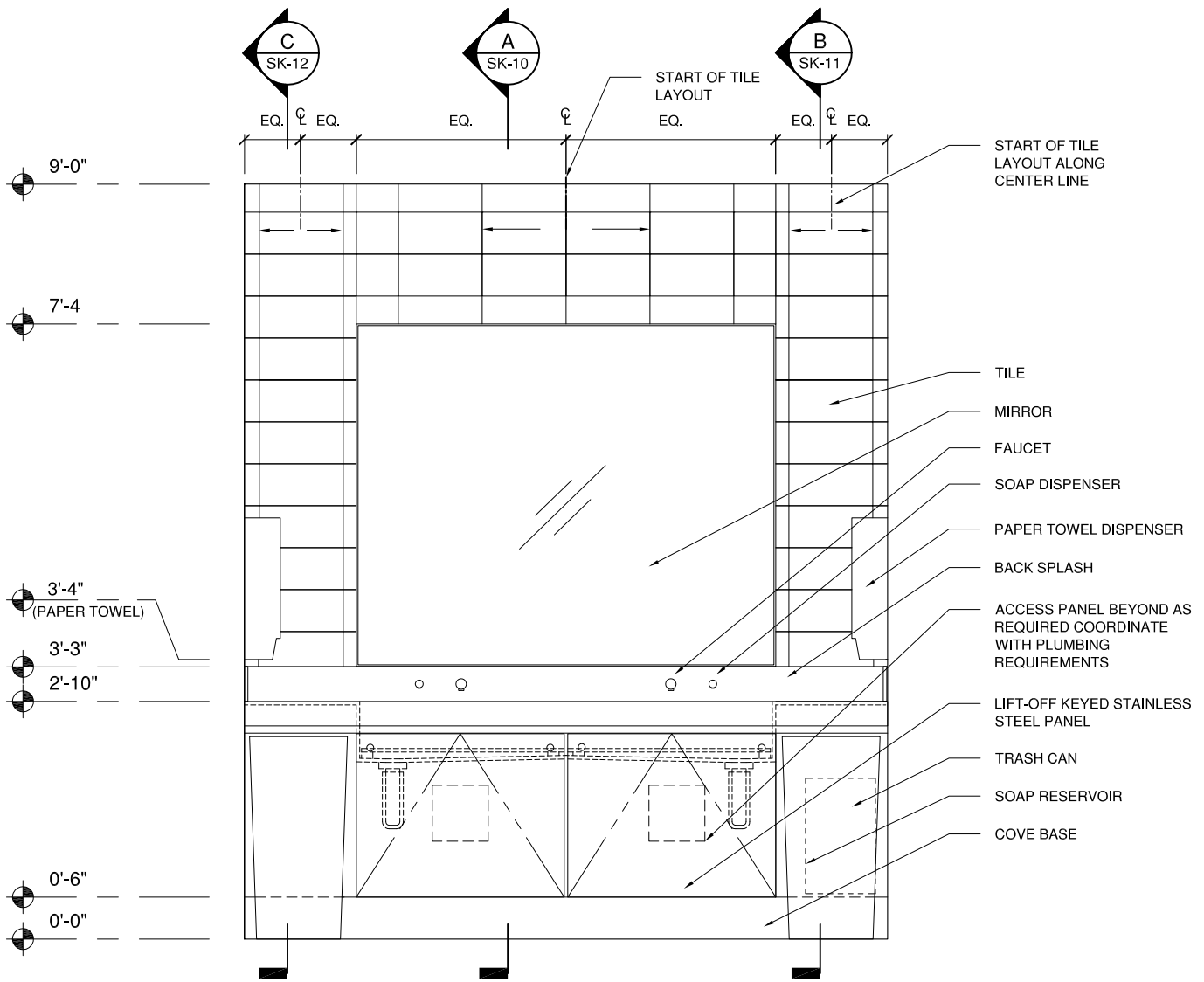
1. All water faucets and soap dispensers must be activated within the 17" ADA maximum deep reach.
2. The forward reach depth may not exceed the depth of the clear floor space beneath the fixture.
3. Paper towel dispensers must be mounted so that its highest operable part is within 40" AFF per ADA.

ELEVATION

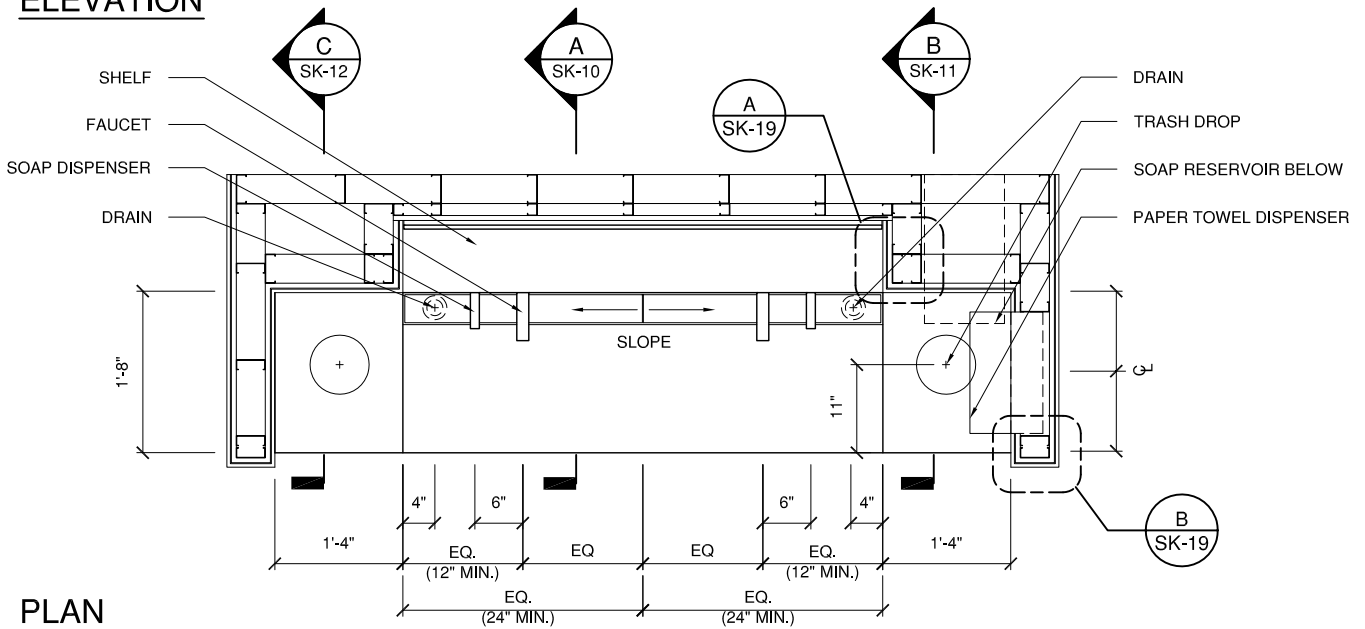


PLAN

SINGLE STAND-ALONE MODULE

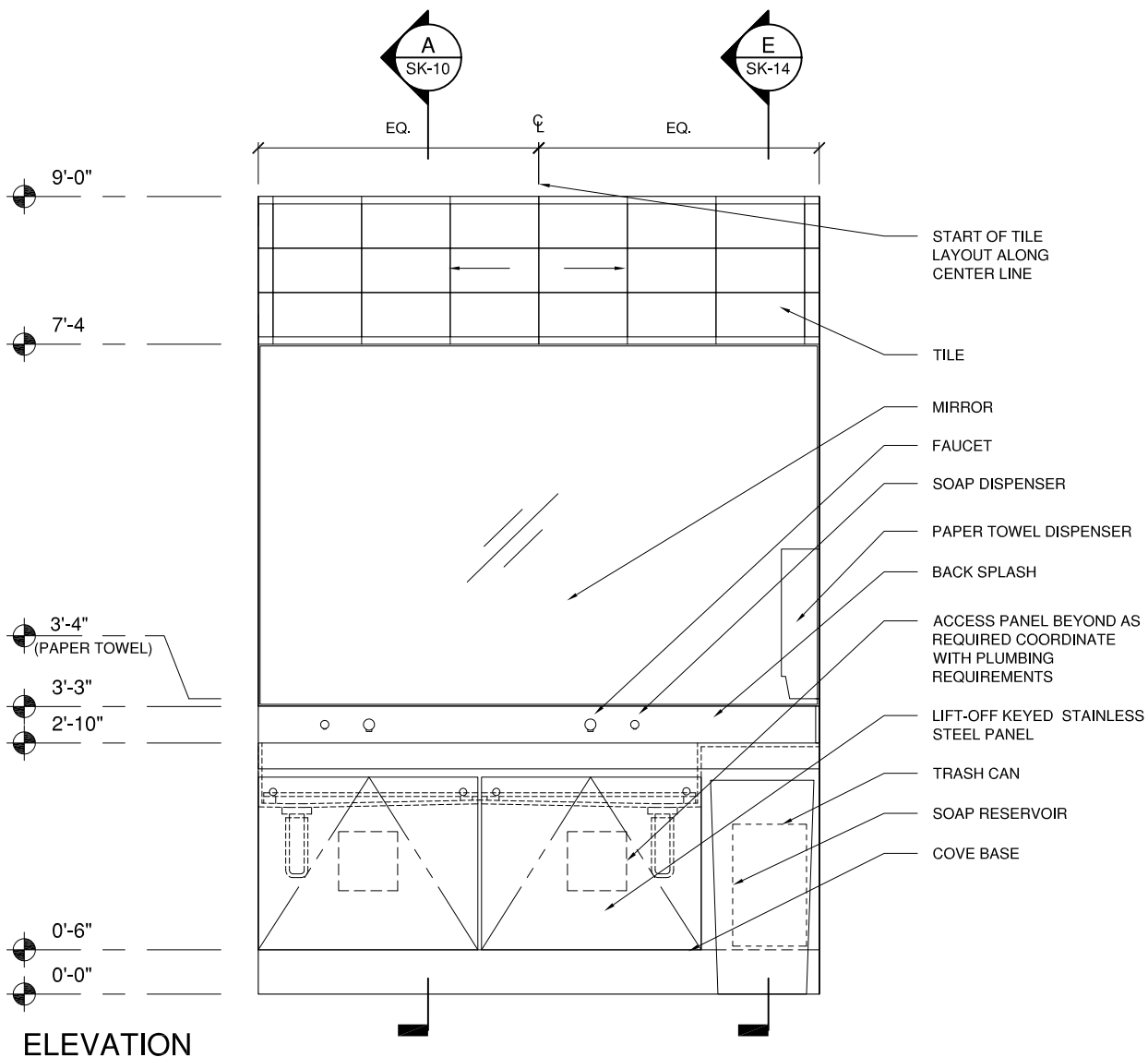


ELEVATION

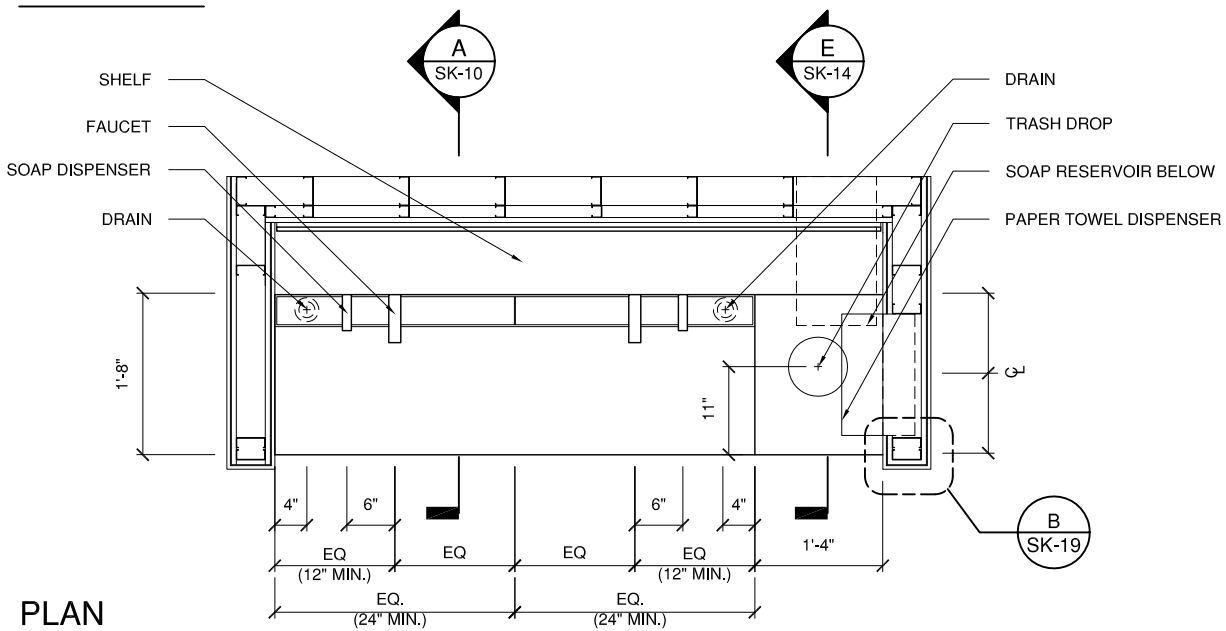


PLAN

DOUBLE STAND-ALONE MODULE



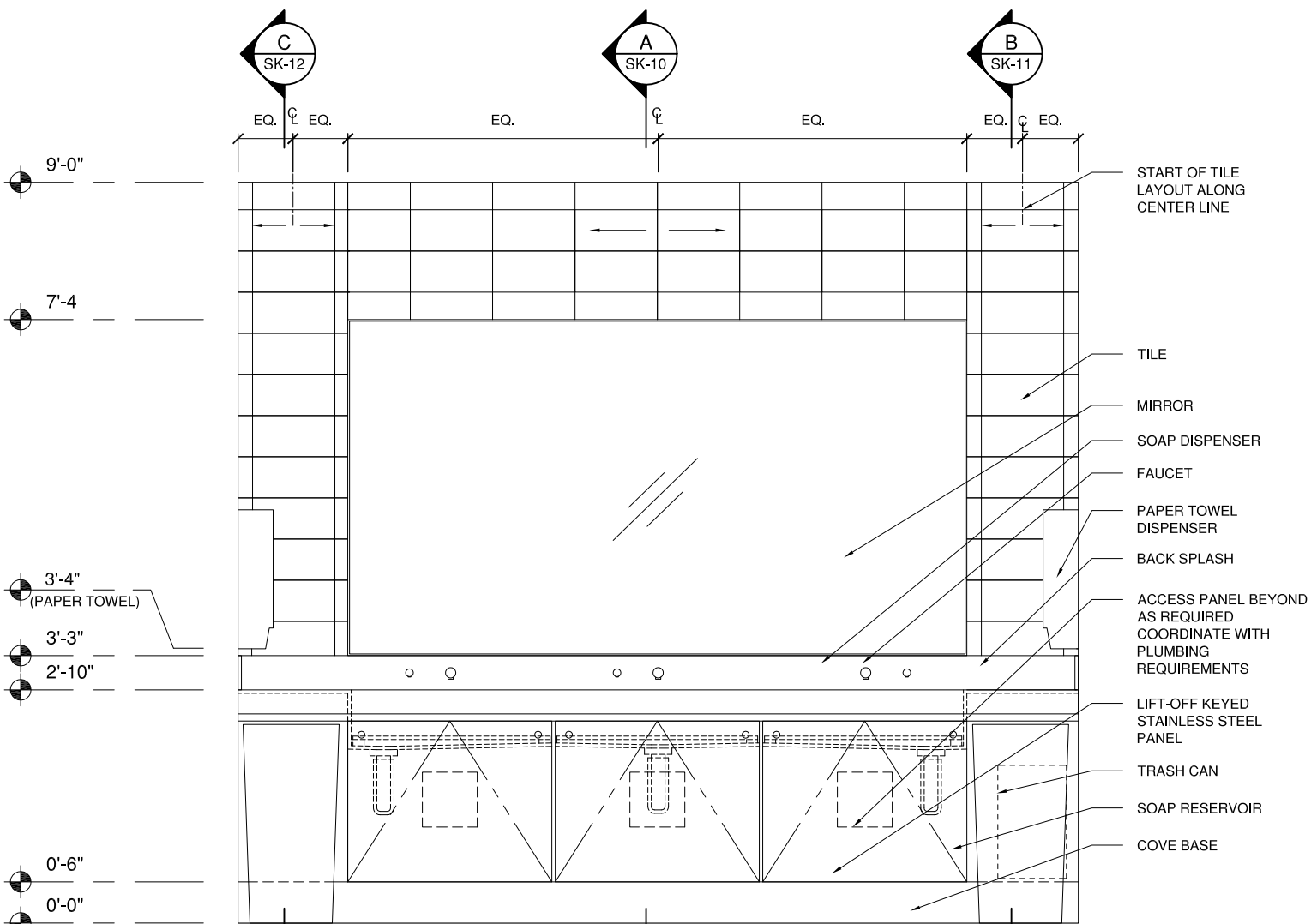
ELEVATION



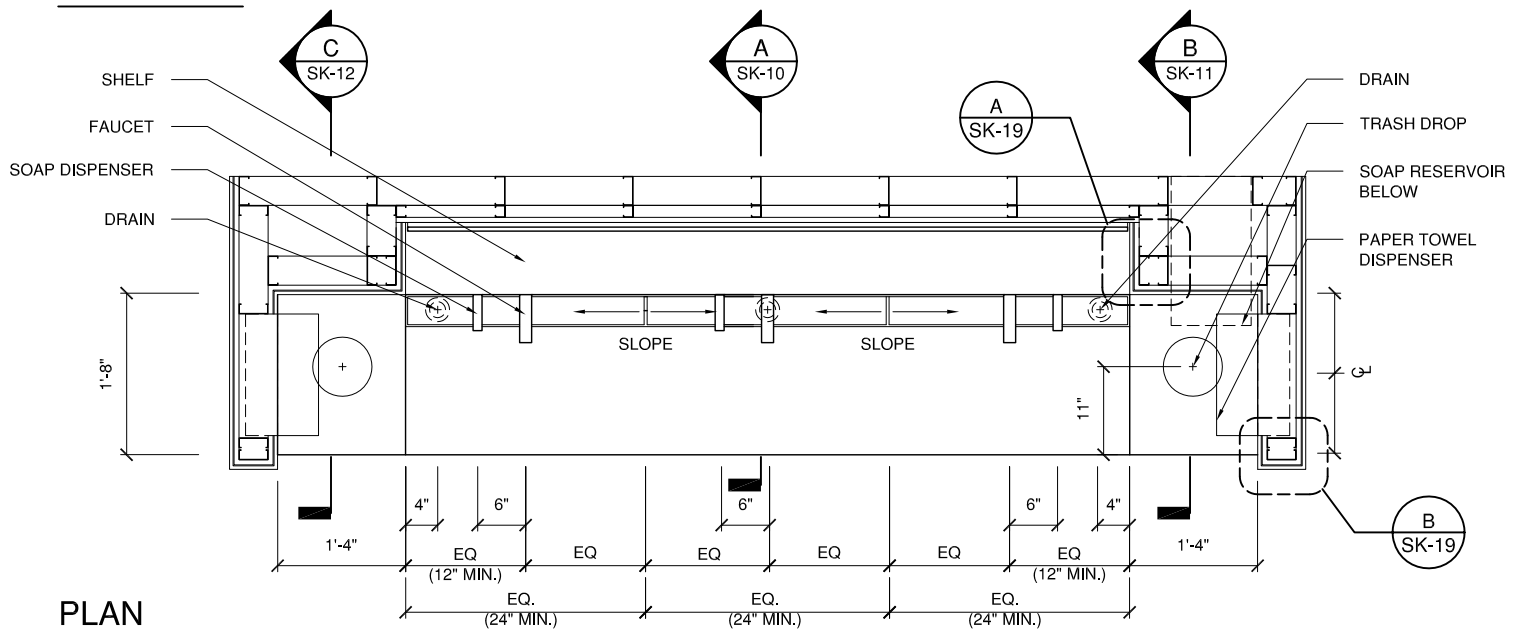
PLAN

**NON STANDARD
DOUBLE STAND-ALONE MODULE**

SHEET
SK-03



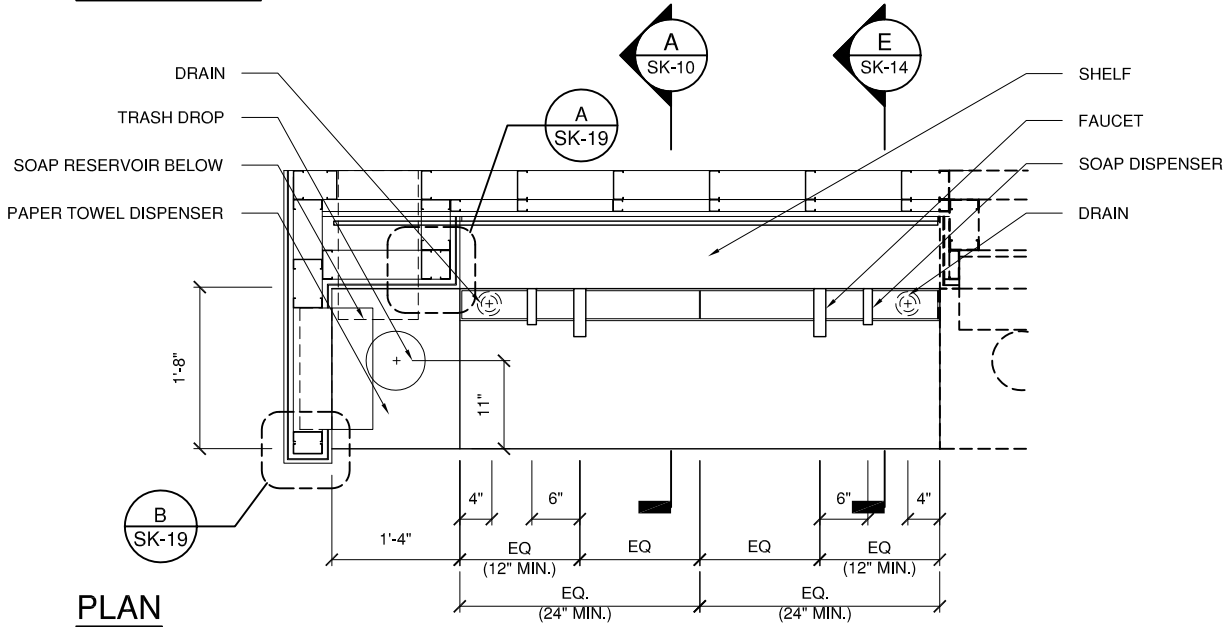
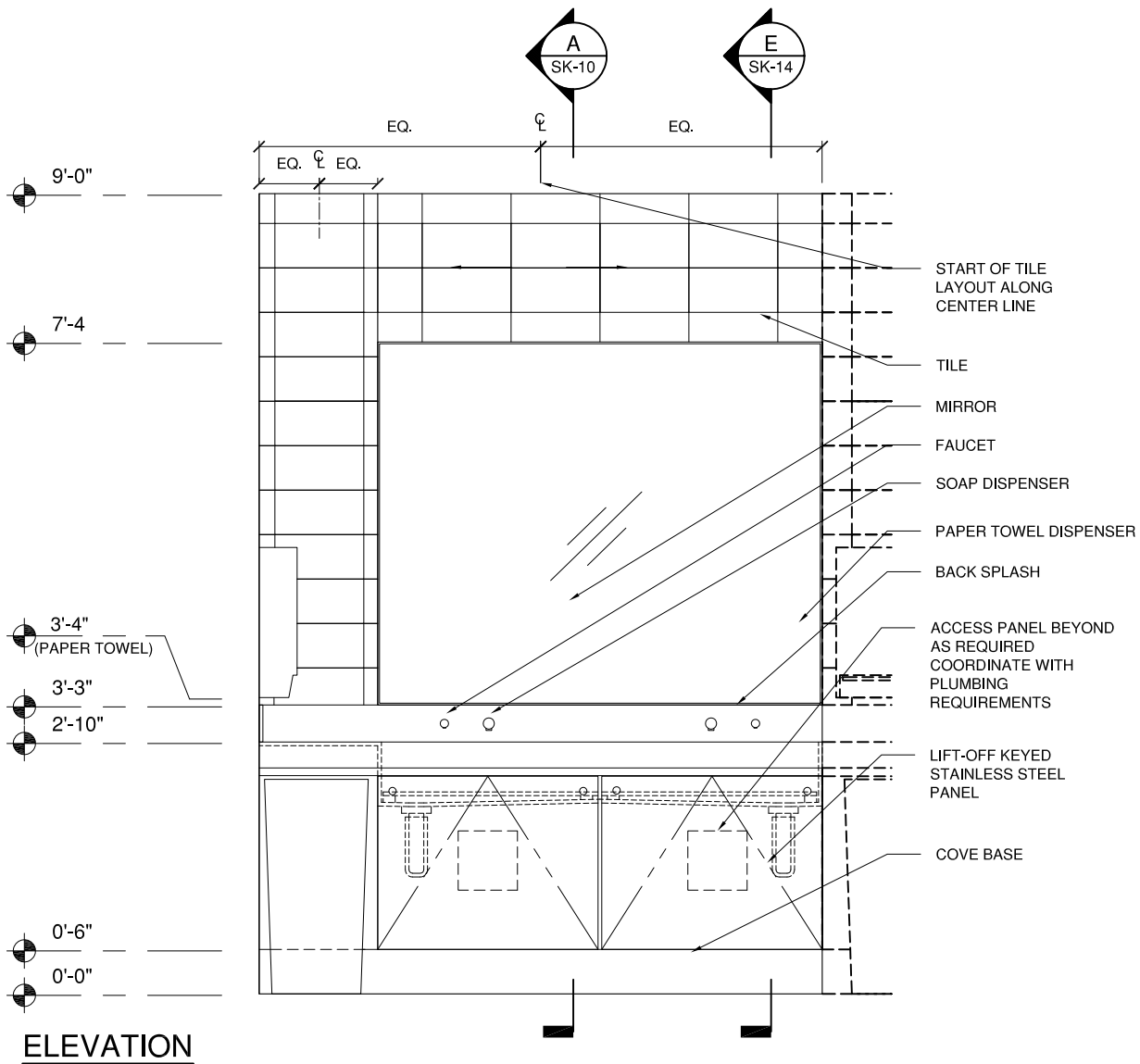
ELEVATION



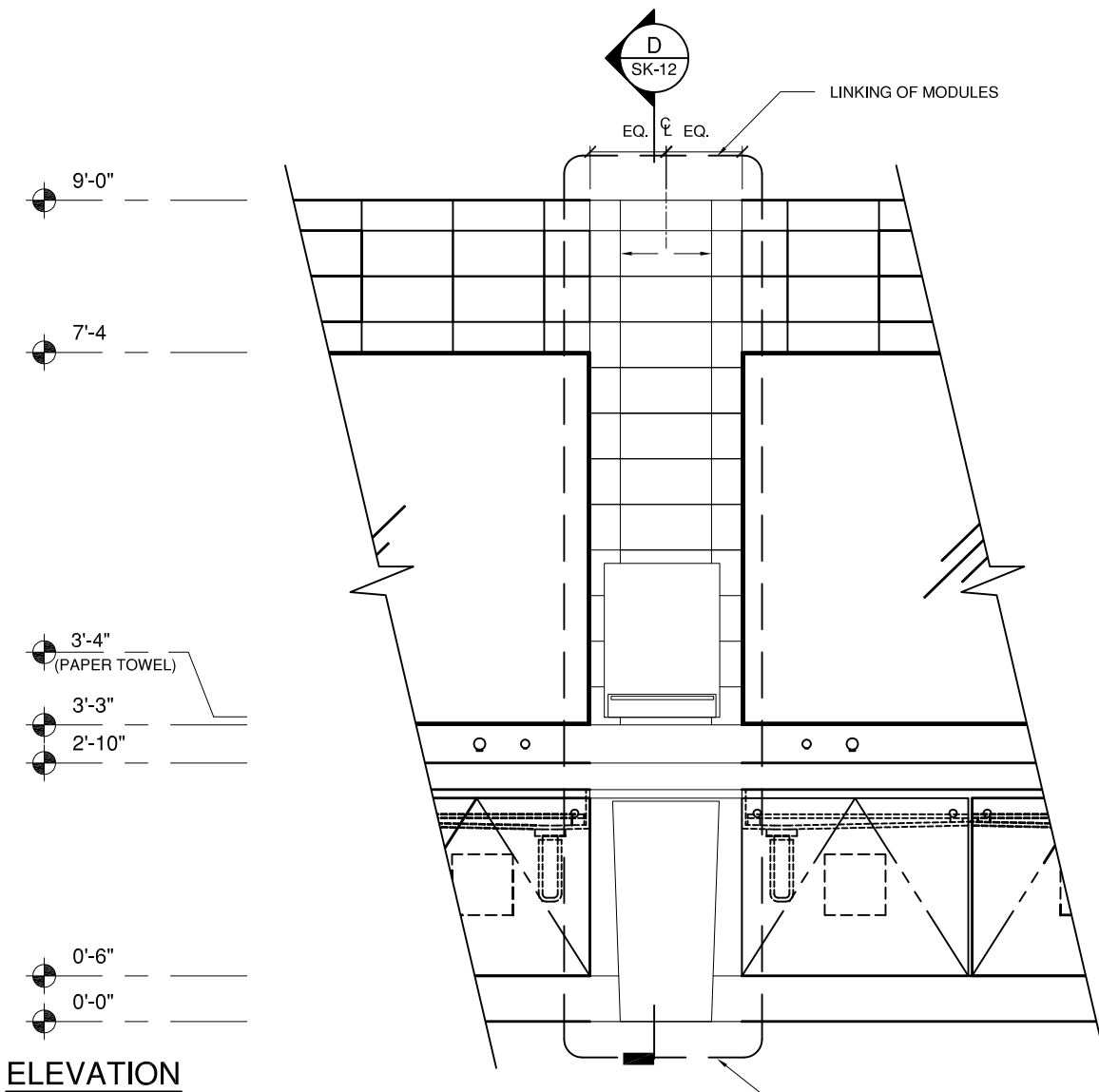
PLAN

**NON STANDARD
TRIPLE STAND-ALONE MODULE**

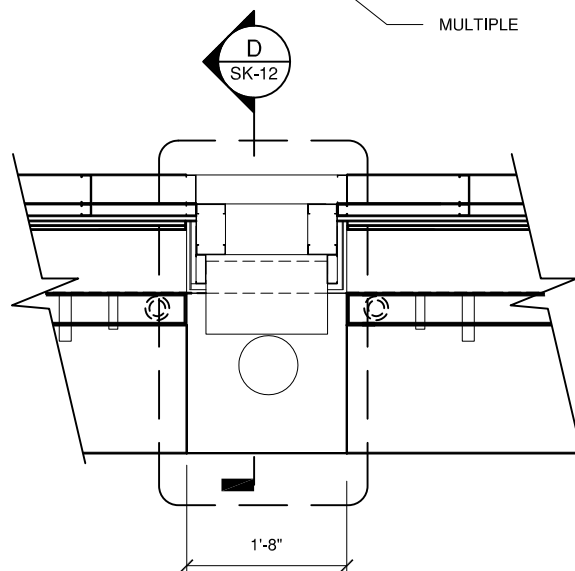
SHEET
SK-04



DOUBLE GANG BASE



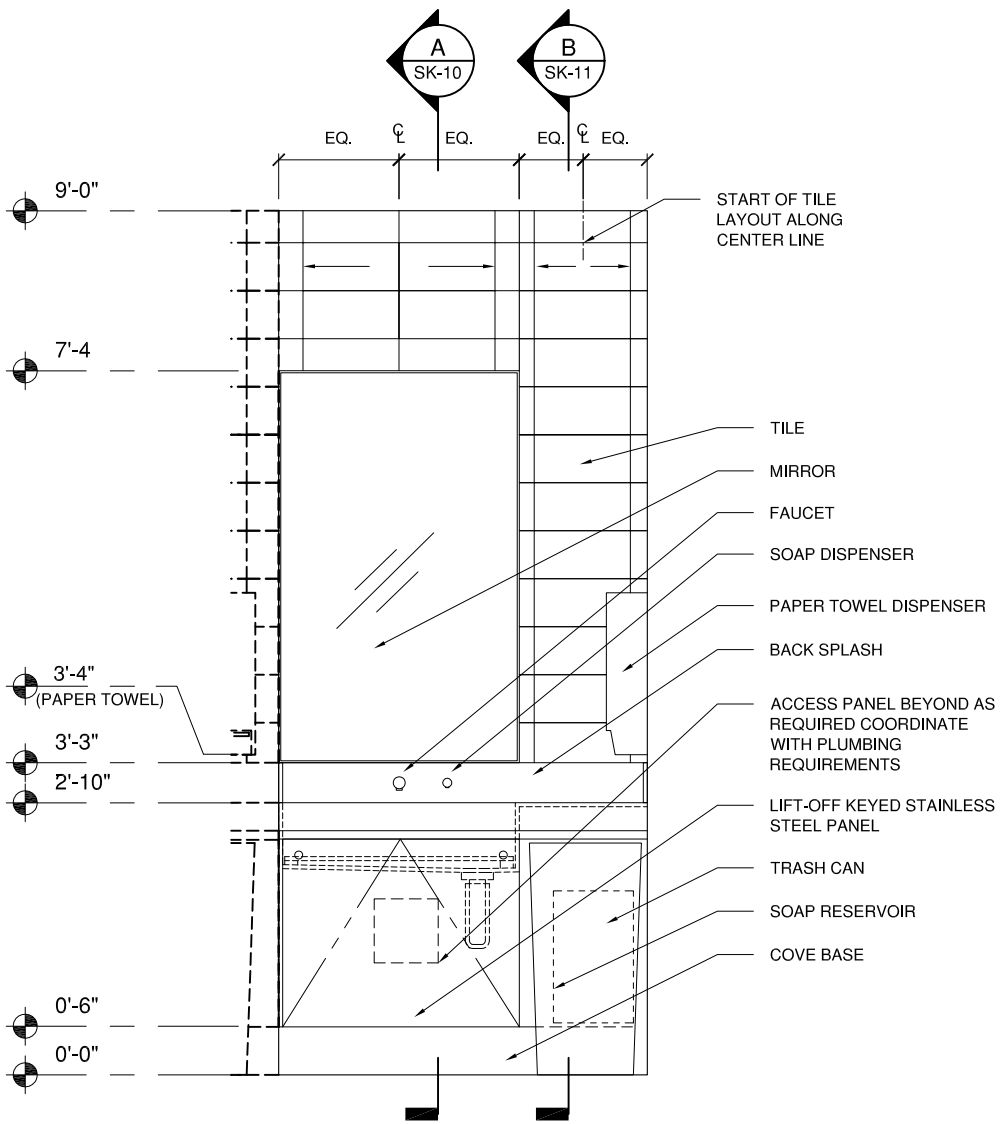
ELEVATION



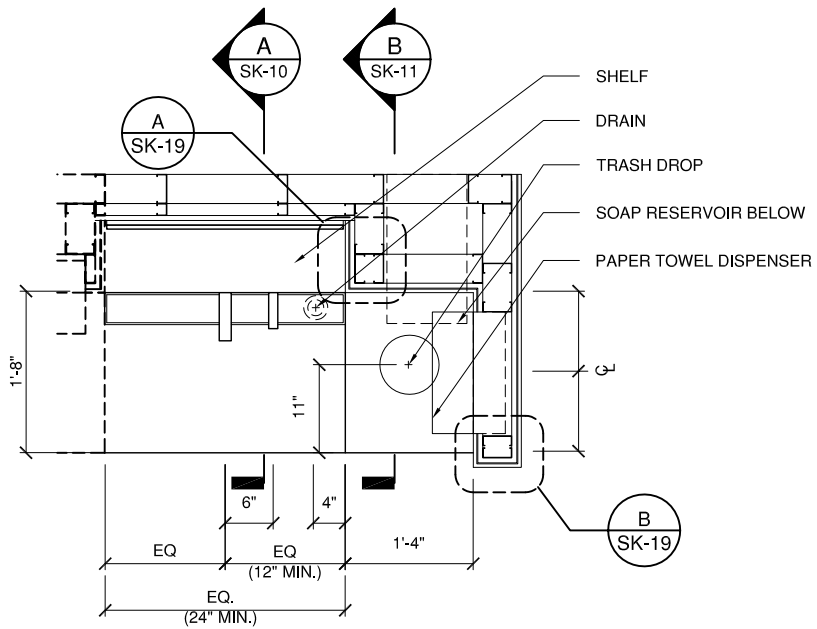
PLAN

INTERMEDIATE TRASH DROP
FOR USE BETWEEN GANGED MODULES

SHEET
SK-06

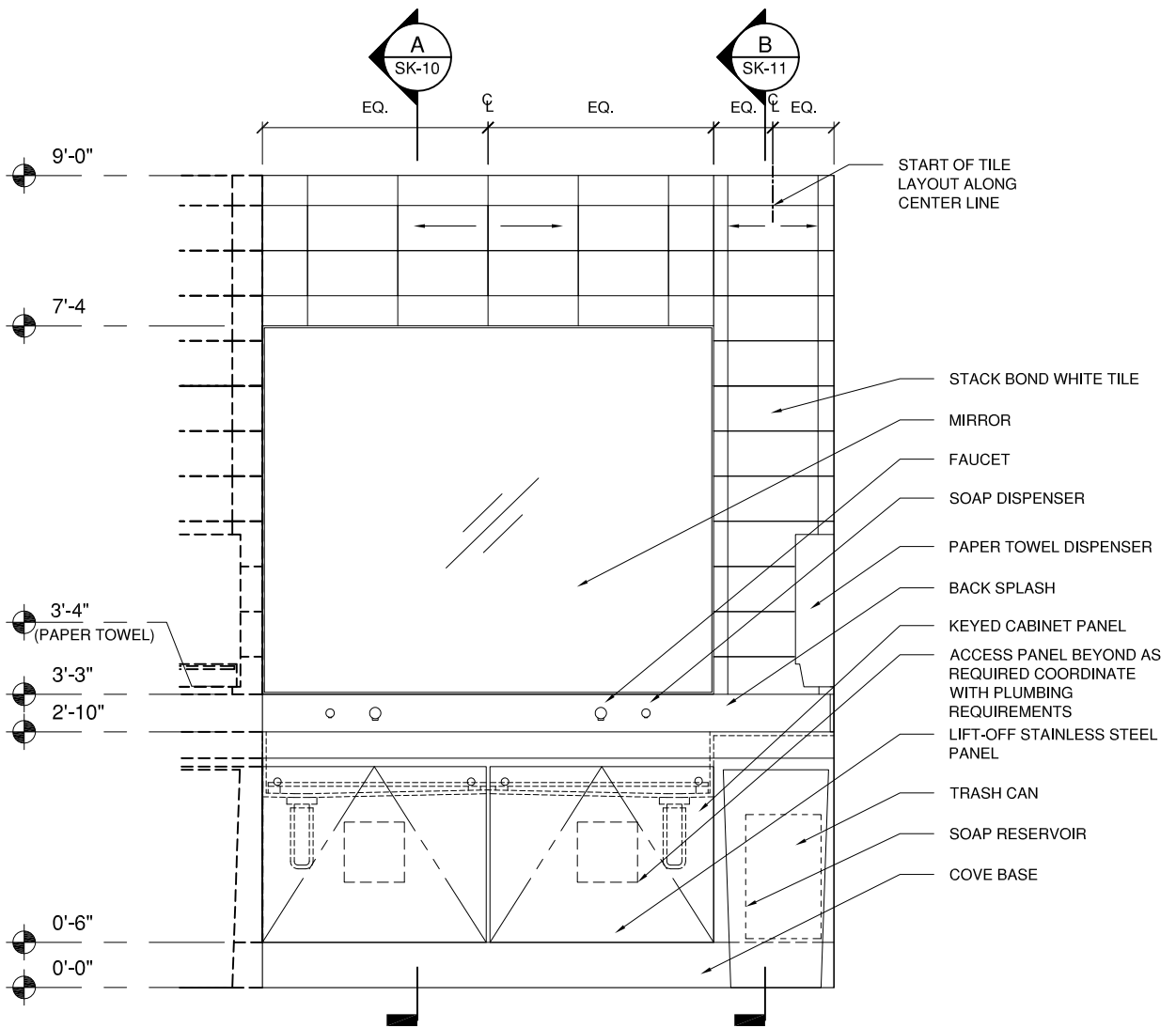


ELEVATION

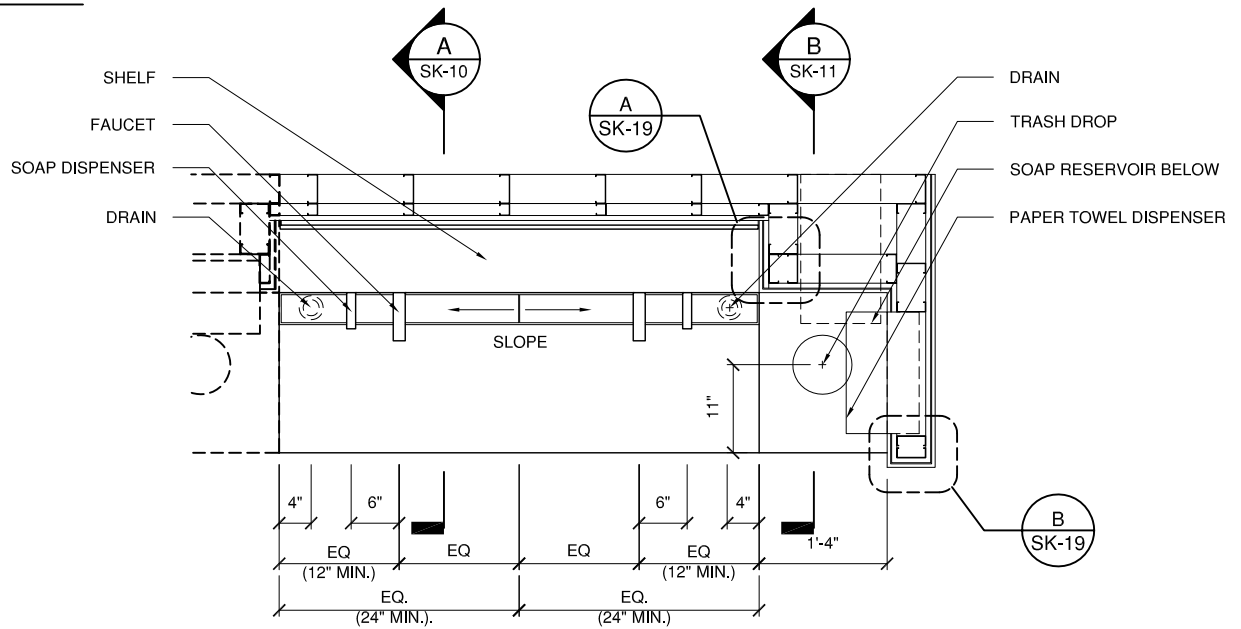


PLAN

SINGLE GANG MODULE

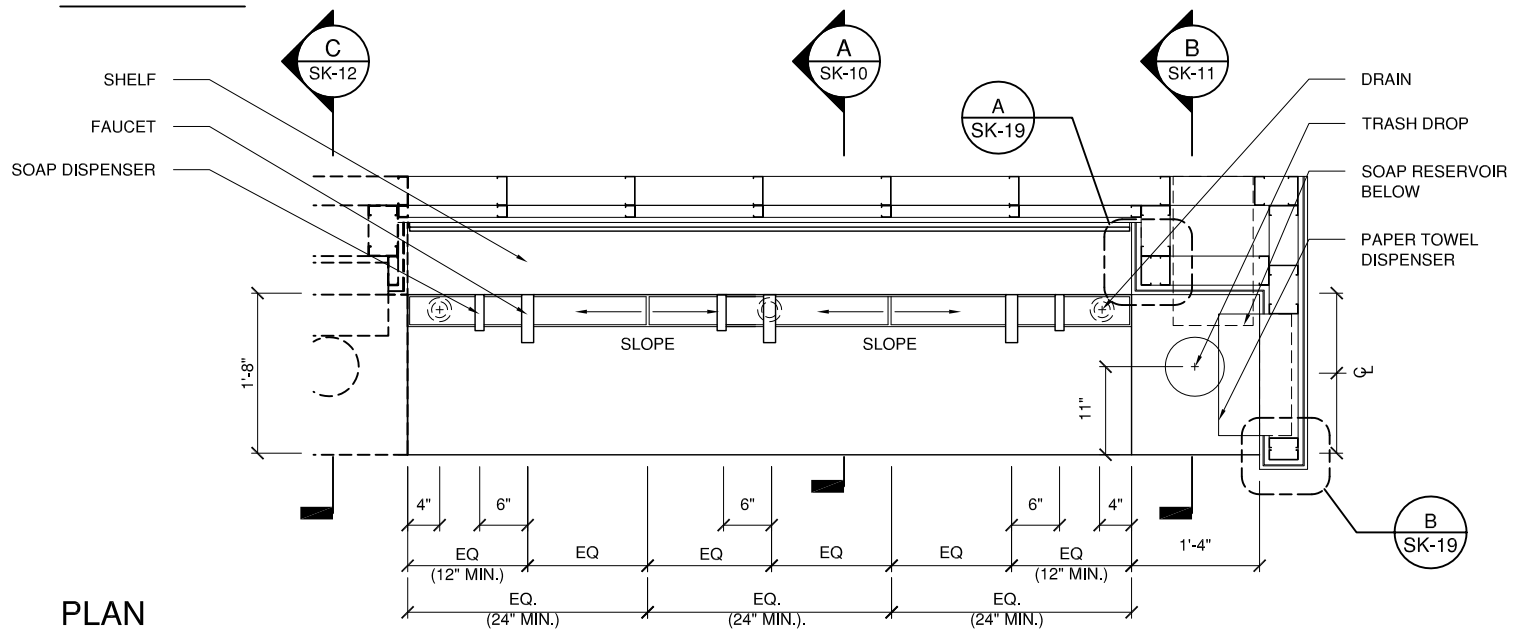
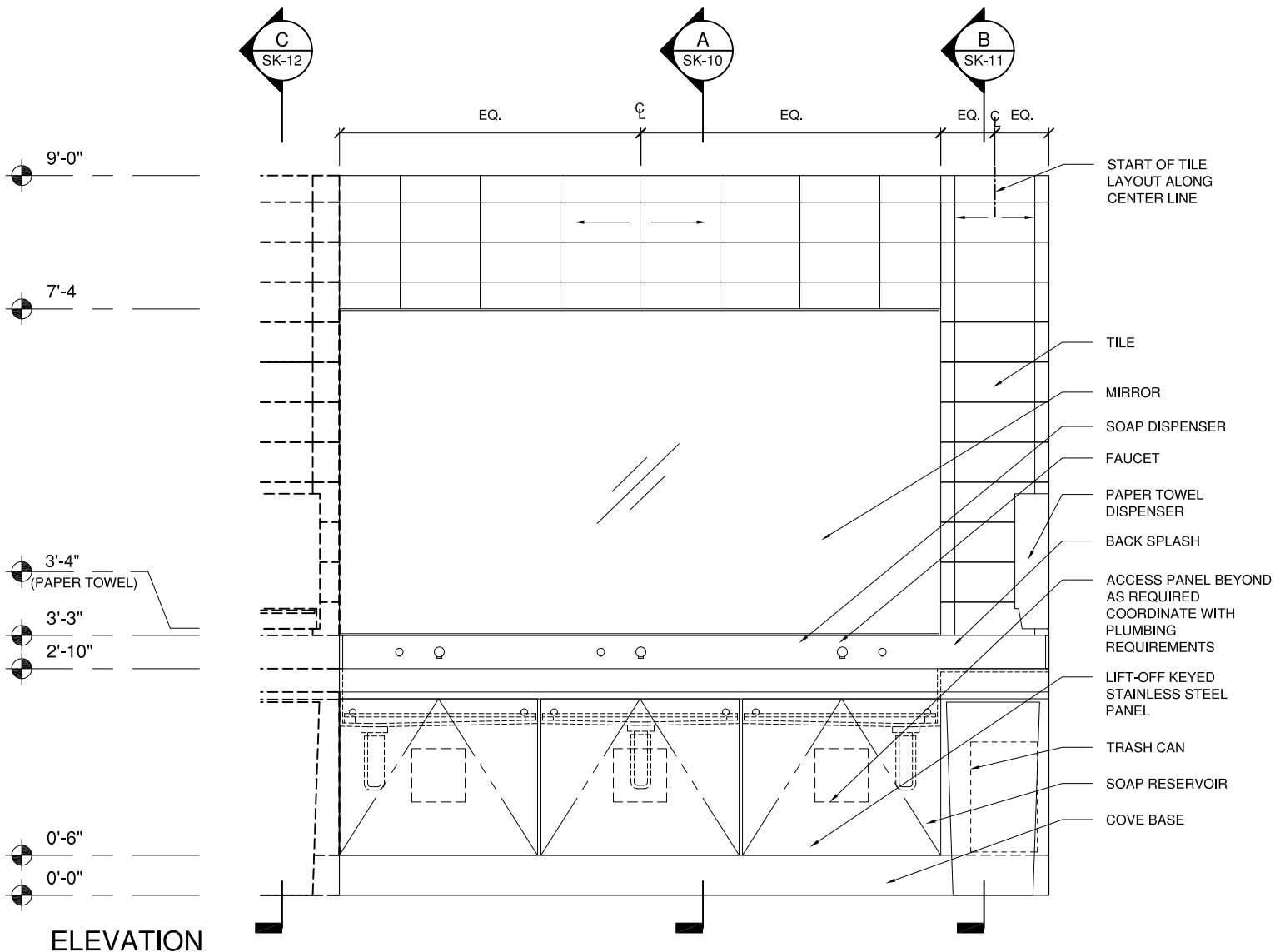


ELEVATION



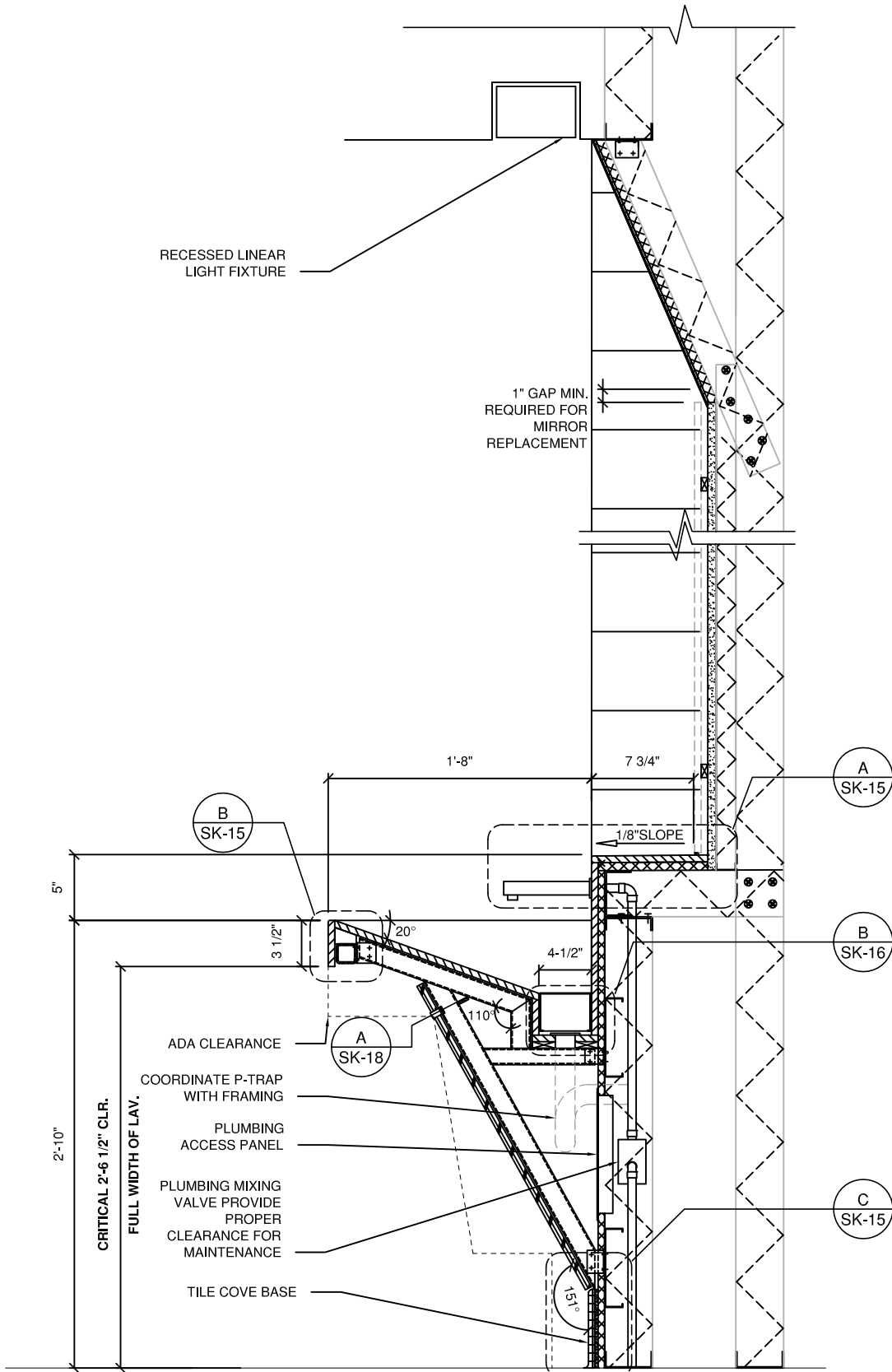
PLAN

DOUBLE GANG MODULE

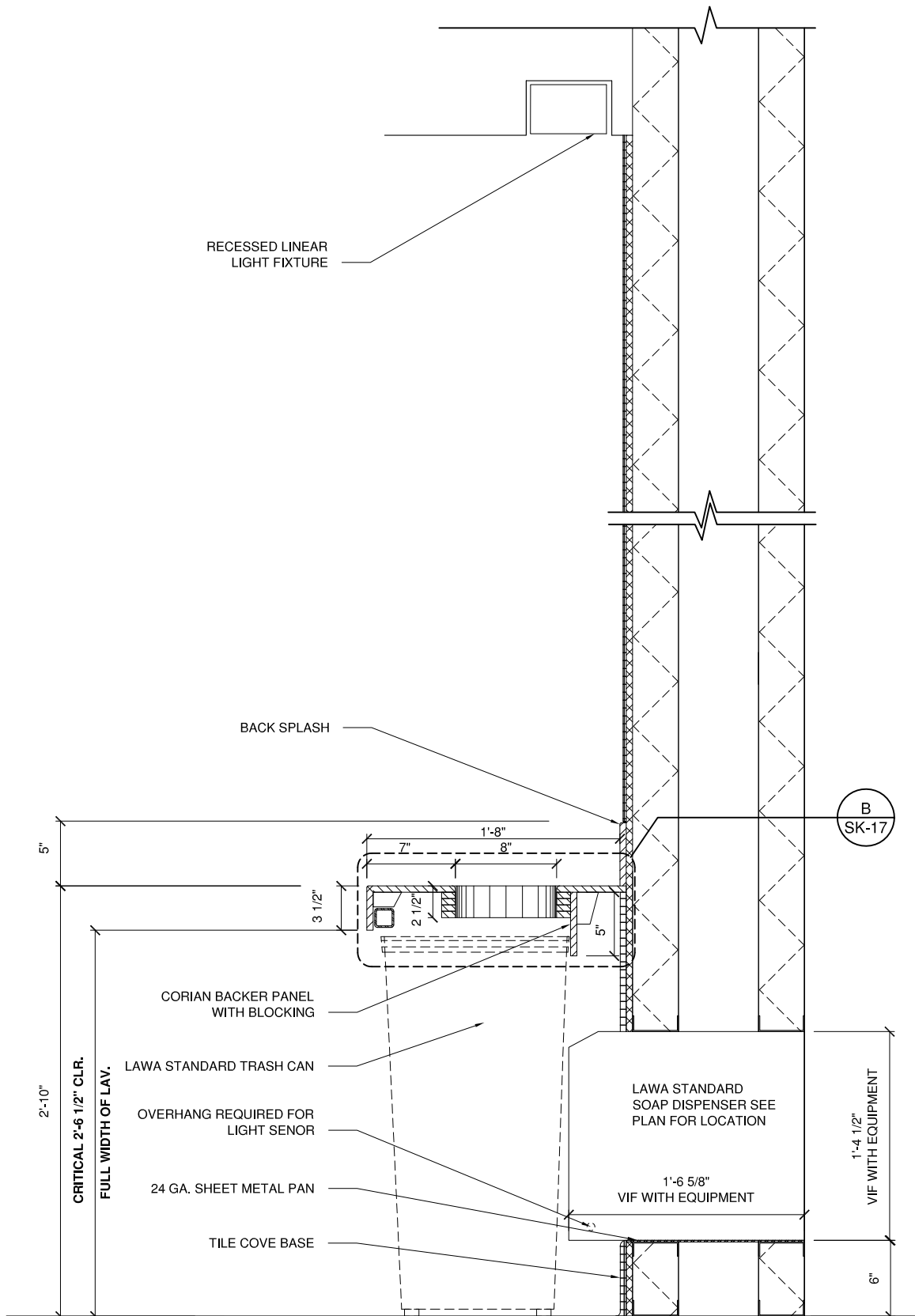


**NON STANDARD
TRIPLE GANGED MODULE**

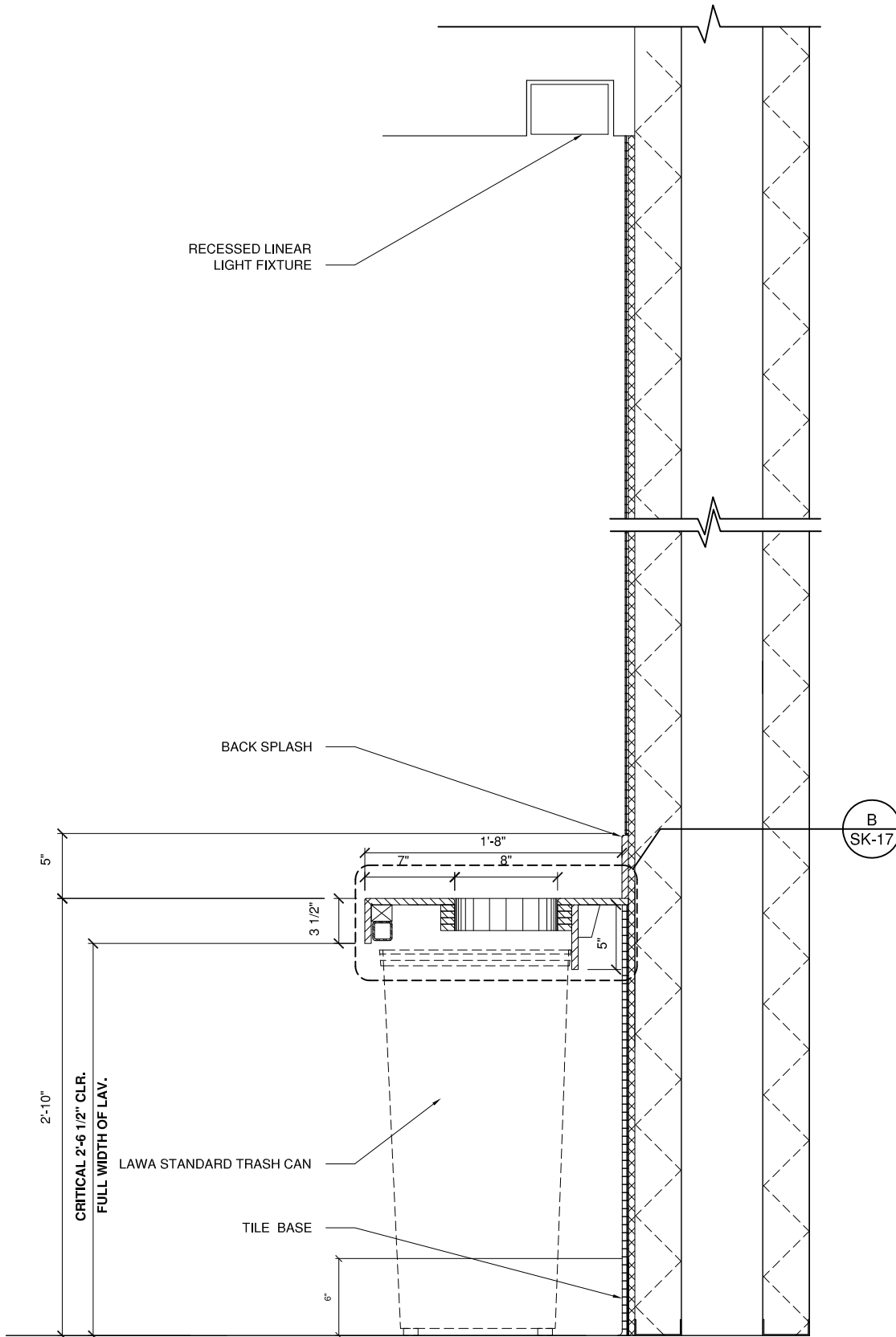
SHEET
SK-09



(A) TYP. SECTION @ SINK

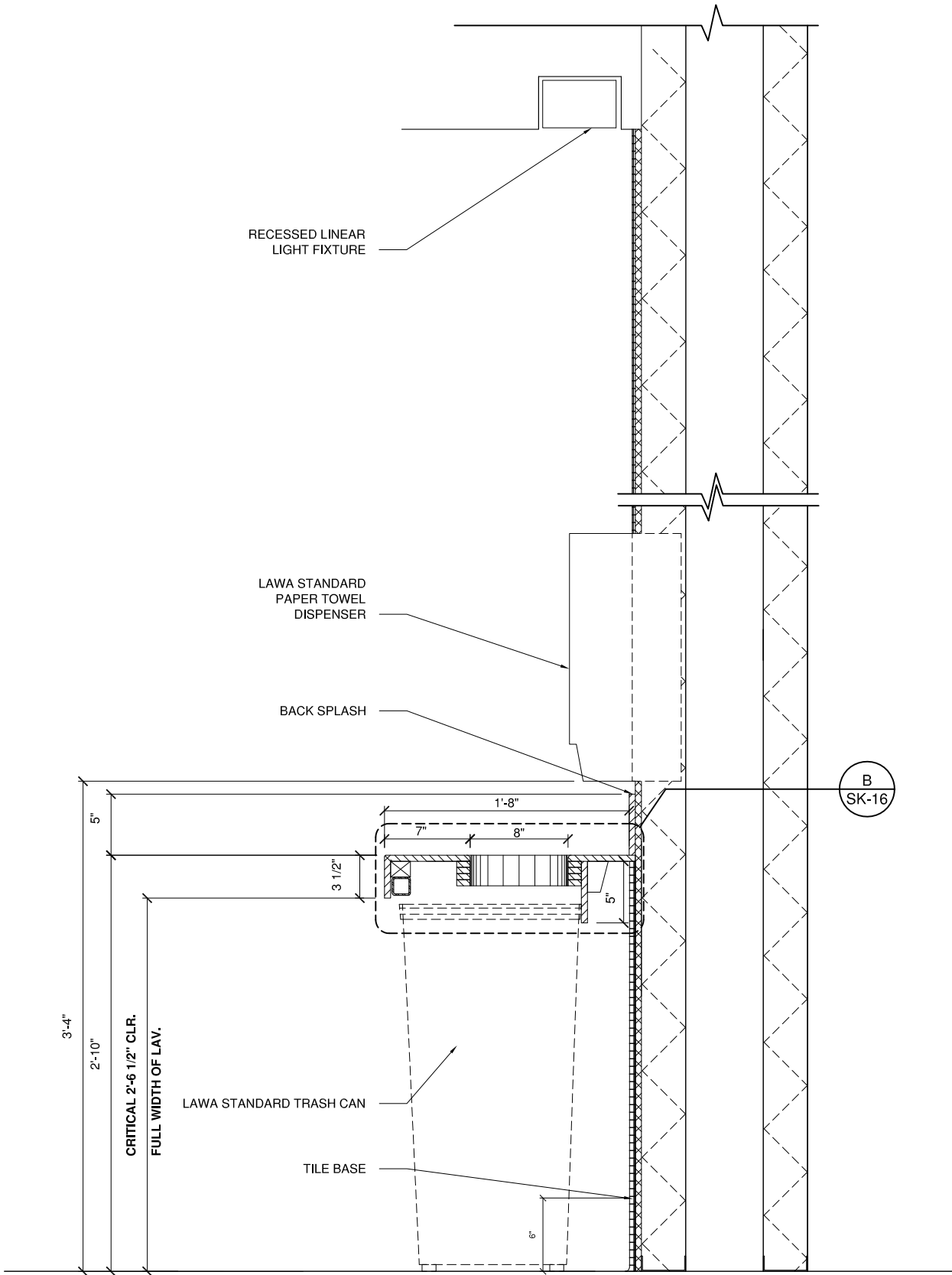


B SECTION @ TRASH DROP
WITH SOAP RESERVOIR



③ SECTION @ TRASH DROP
NO SOAP RESERVOIR

SHEET
SK-12

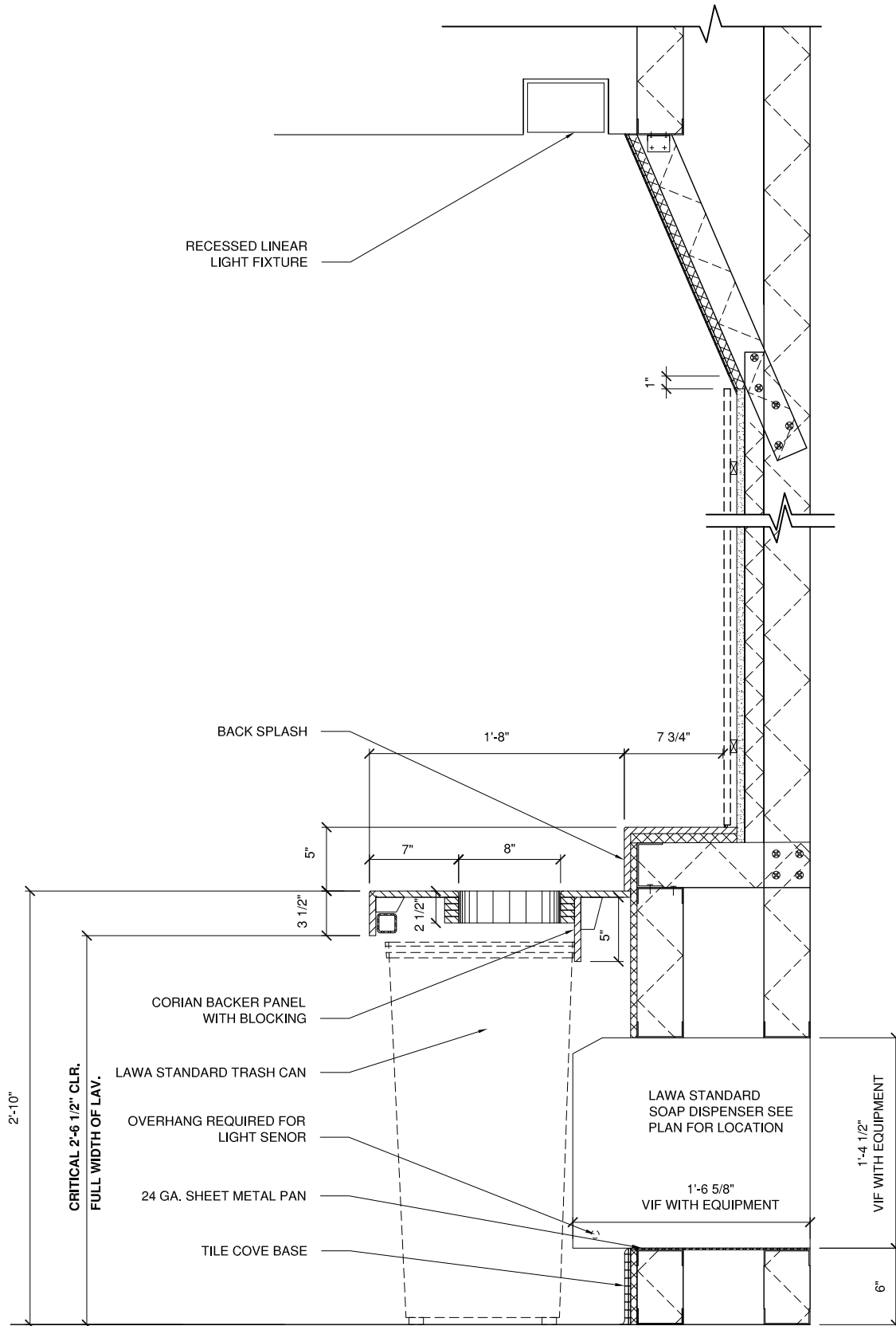


D SECTION @ PAPER TOWEL DISP. ON WALL

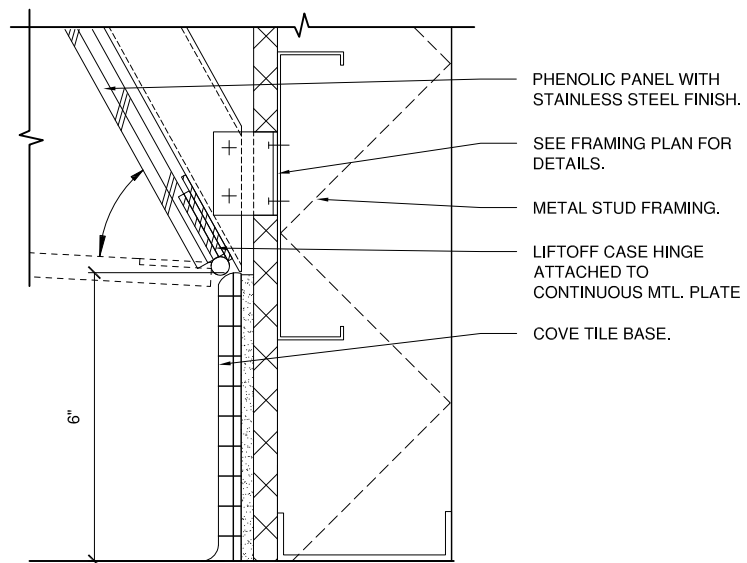
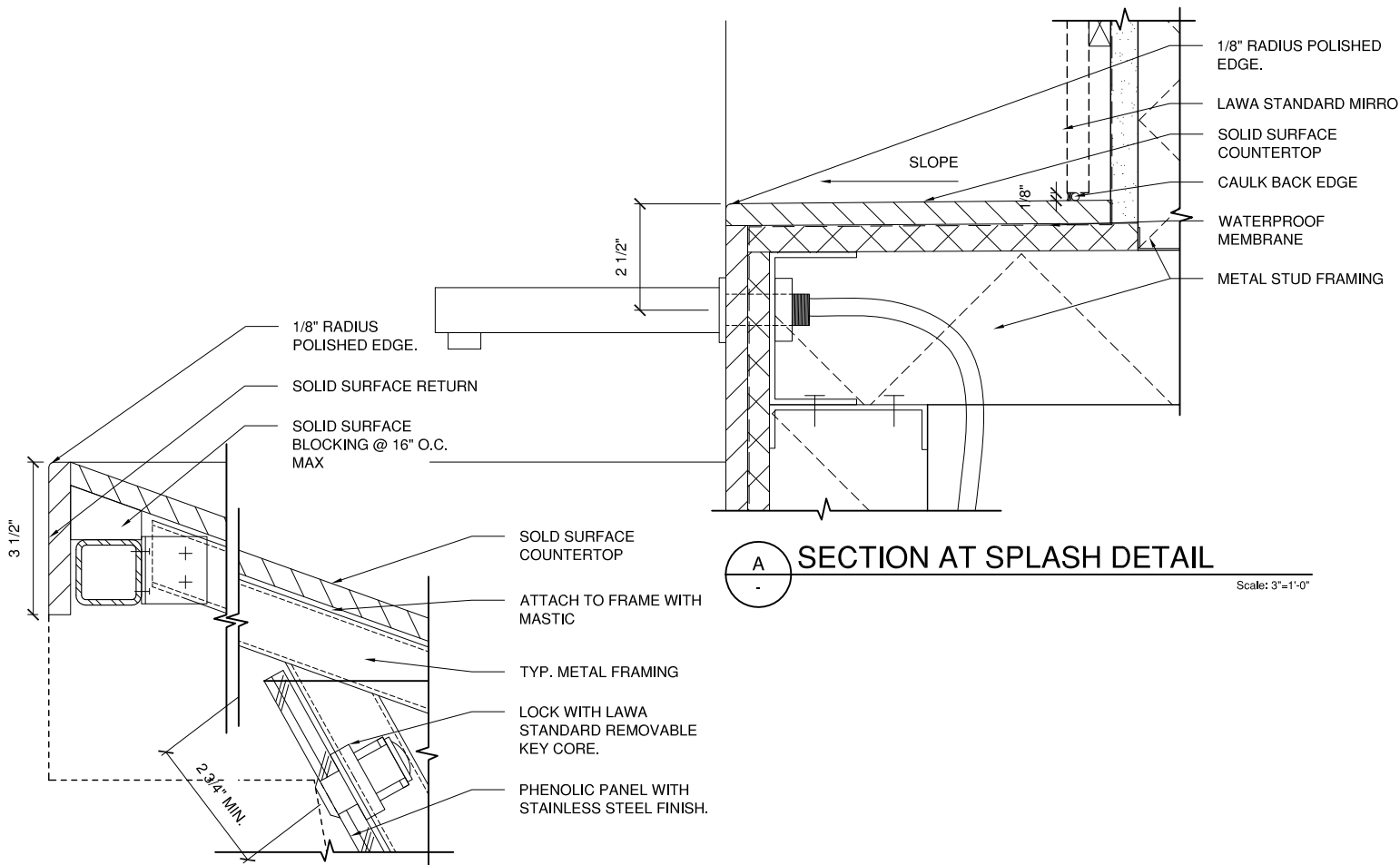
Scale: 1"=1'-0"

D SECTION @ INTERMEDIATE TRASH DROP WITH TOWEL DISPENSER

SHEET
SK-13



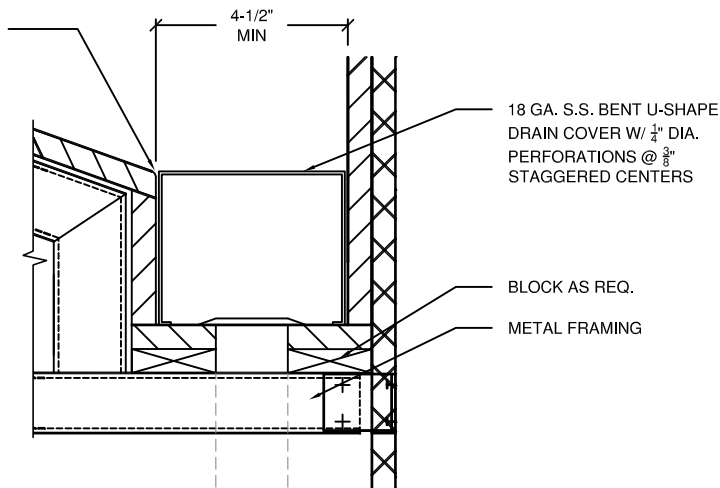
(E) SECTION @ TRASH DROP WITH RESERVOIR AND SHELF



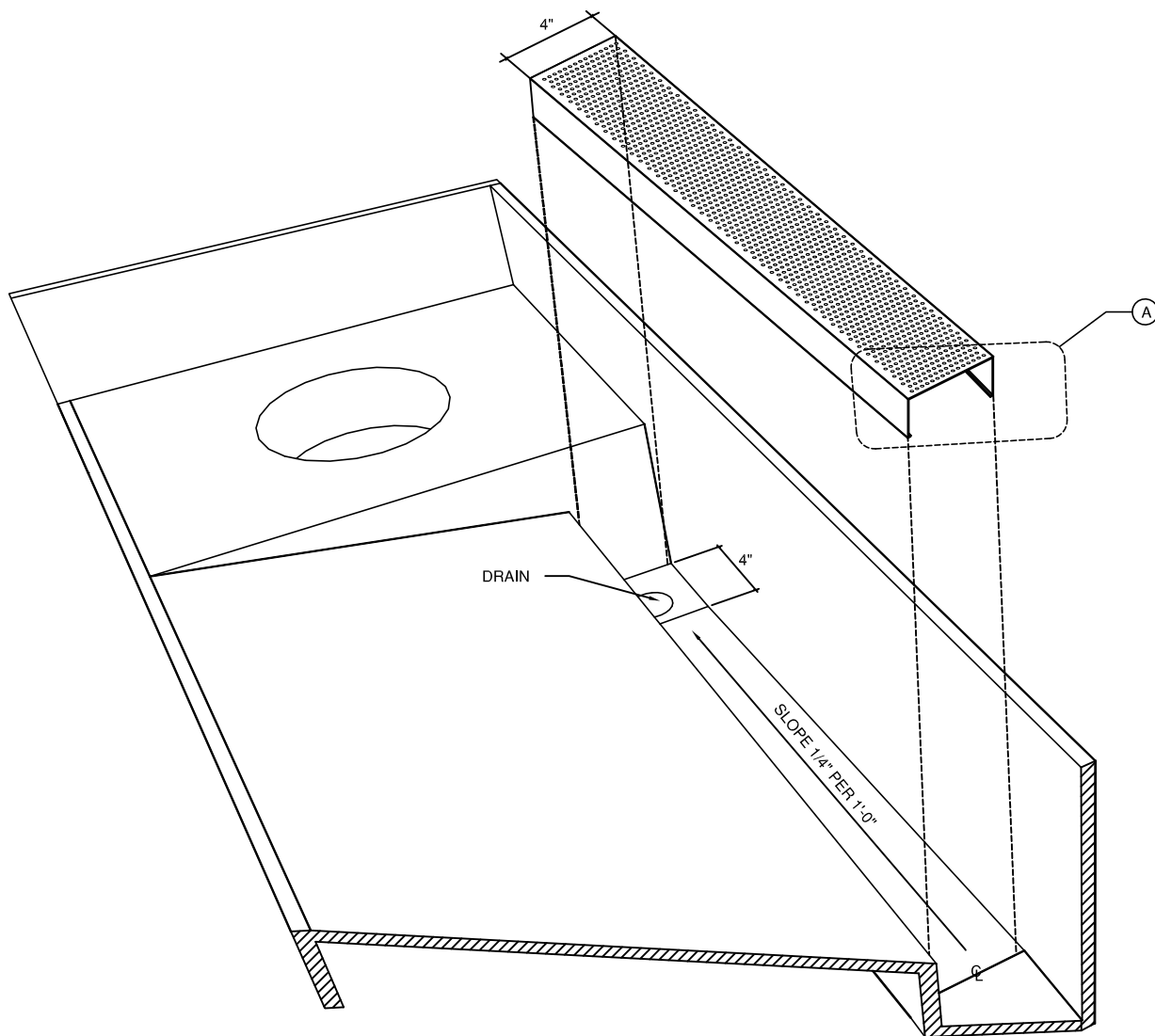
SECTION DETAILS

SHEET
SK-15

TOP OF DRAIN COVER TO BE FLUSH WITH SLOPING SURFACE

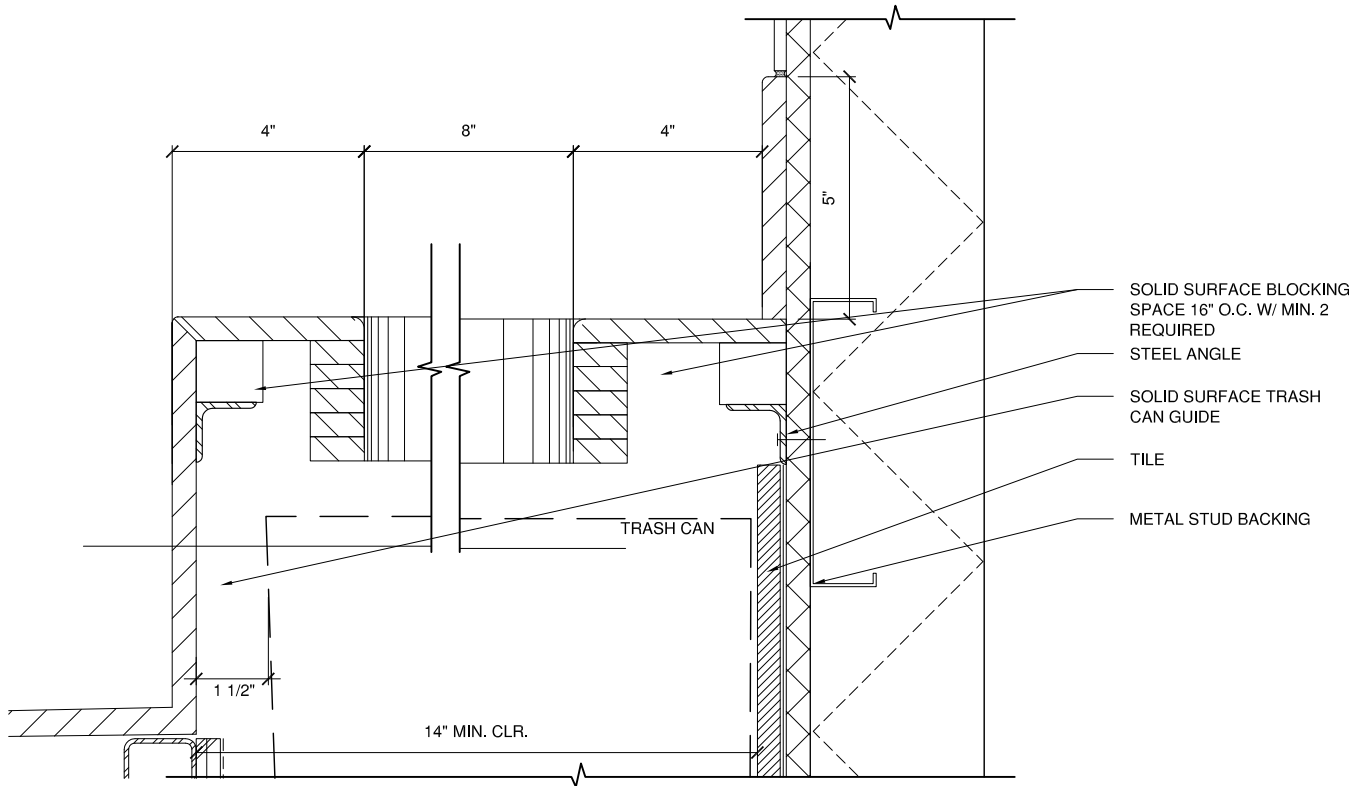


REMOVABLE DRAIN COVER
SECTION A
Scale: 3"=1'-0"



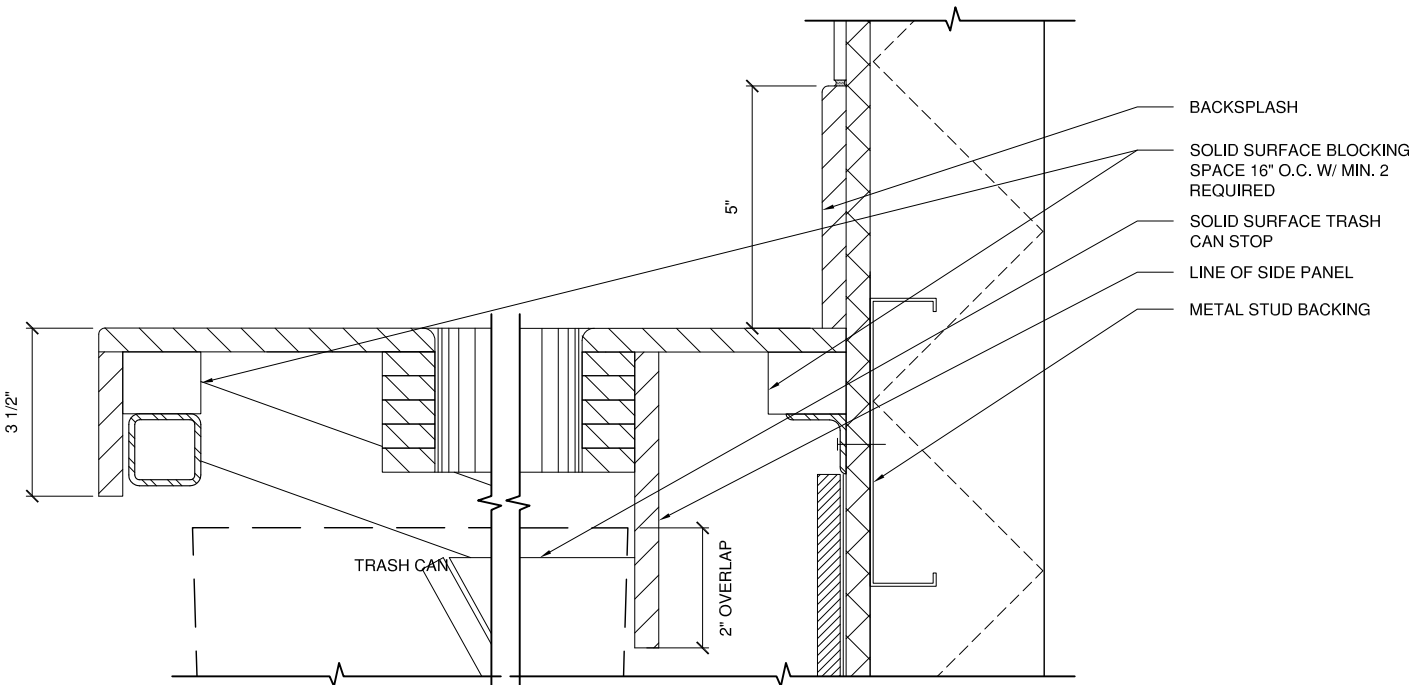
REMOVABLE DRAIN COVER

SHEET
SK-16



A COUNTER EDGE DETAIL

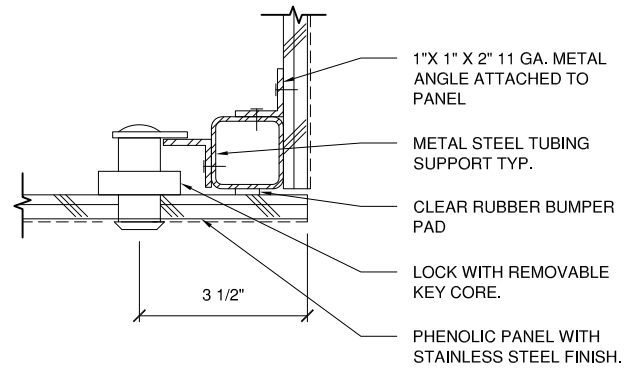
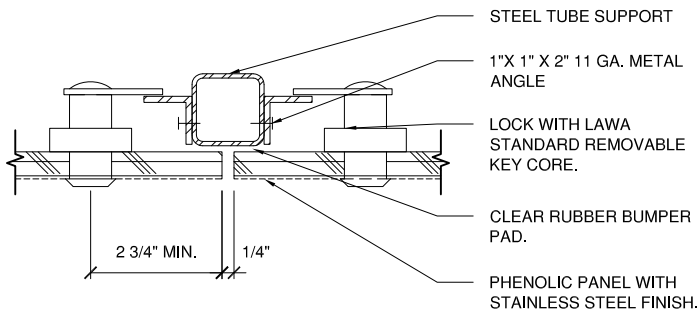
Scale: 3"=1'-0"



B COUNTER EDGE DETAIL

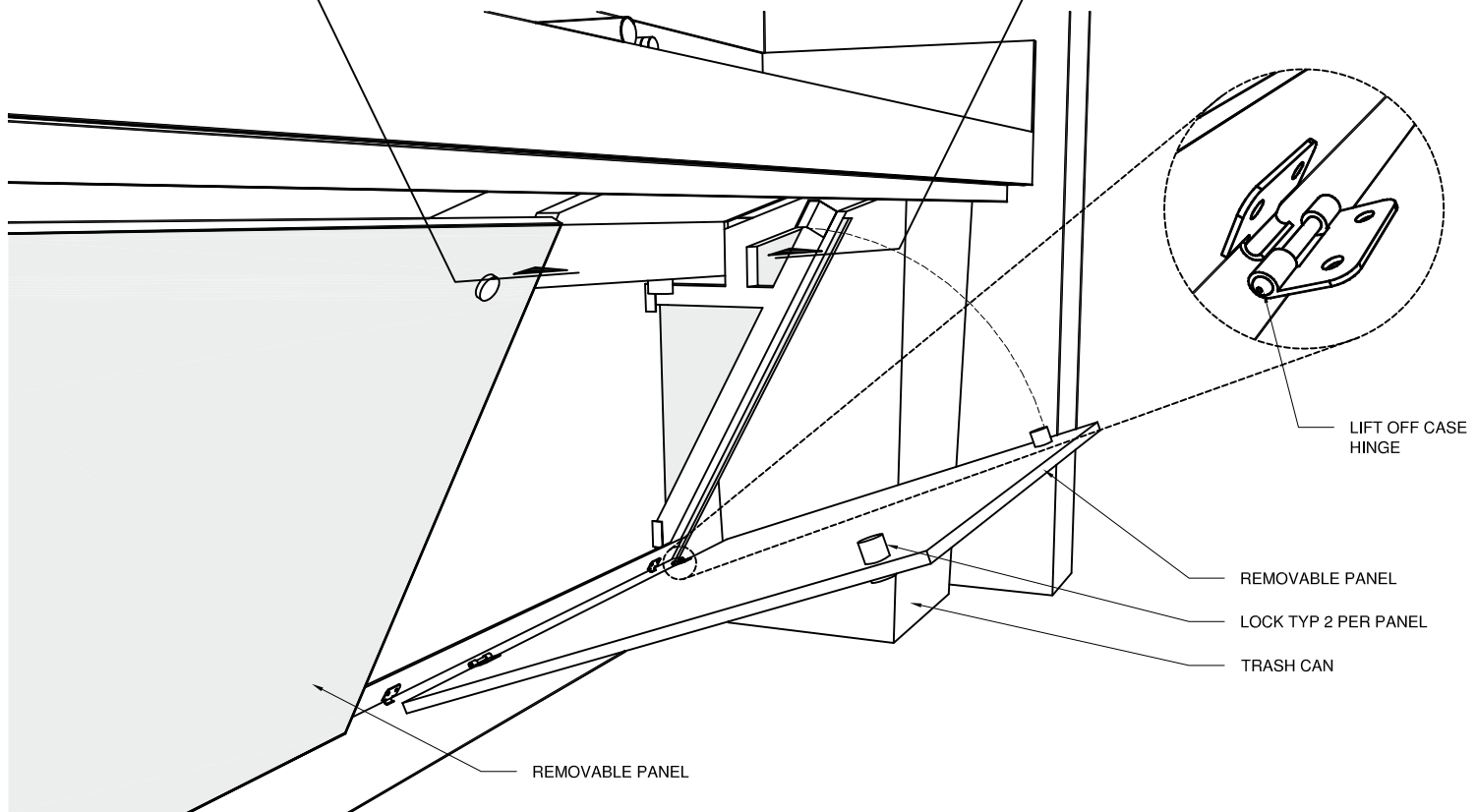
Scale: 3"=1'-0"

ENLARGED SECTION DETAILS



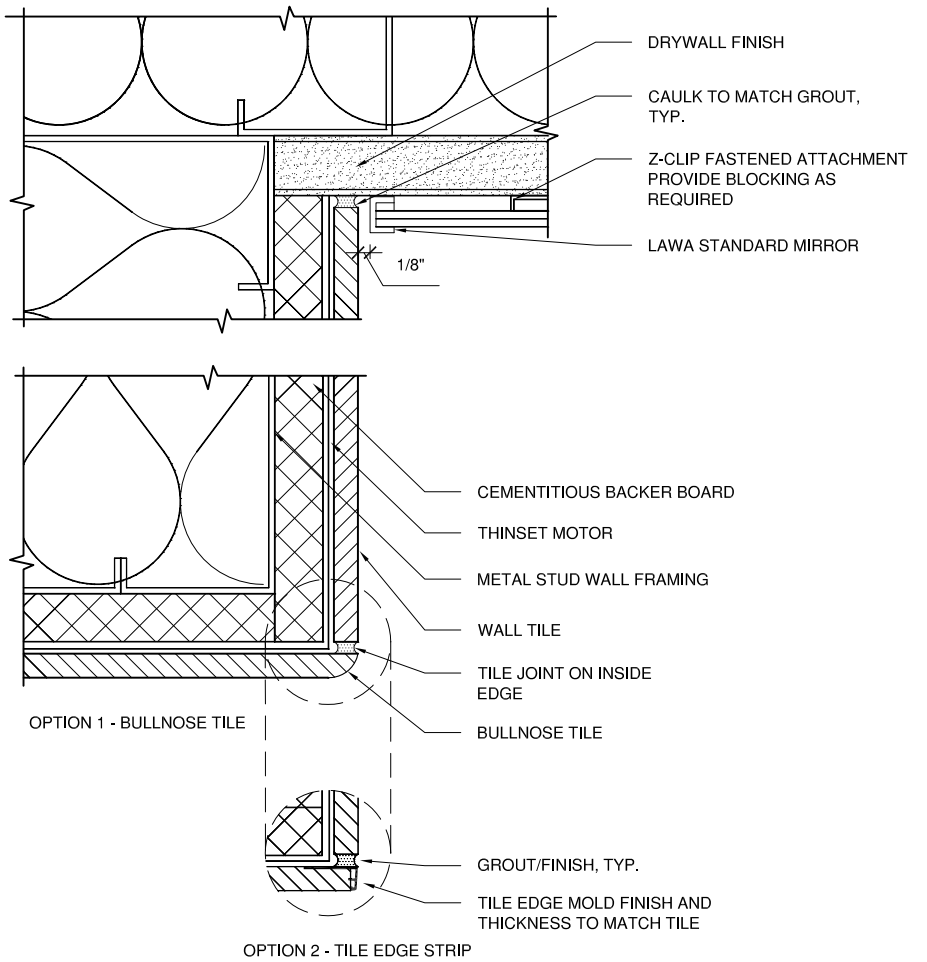
PLAN SECTION @ CENTER POST

PLAN SECTION @ EDGE CONDITION



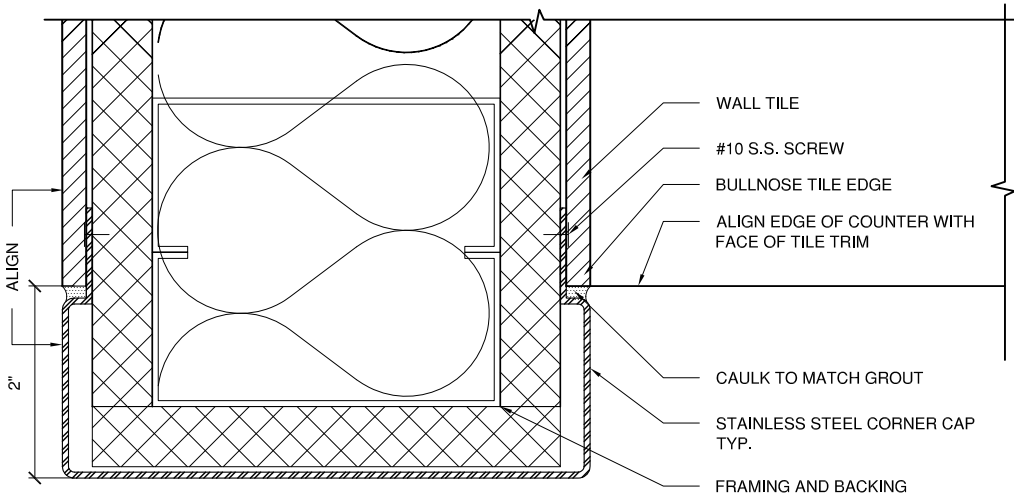
SKIRT PANEL SYSTEM

SHEET
SK-18



A TILE CORNER DETAILS
- OPTION 1 AND OPTION 2

Scale: 6"=1'-0"

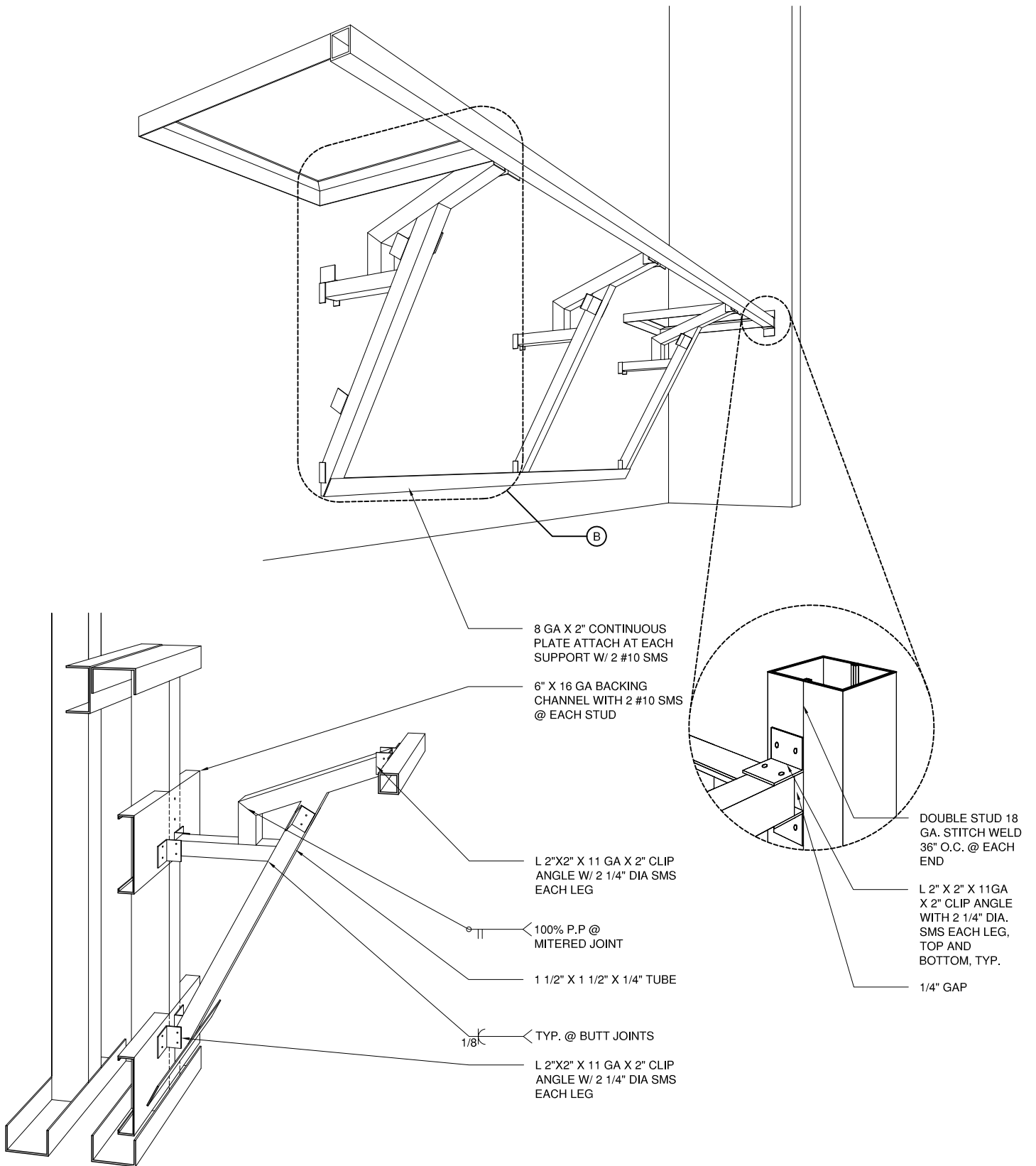


B TILE CORNER DETAILS
- @ END WALL CONDITION

Scale: 6"=1'-0"

TILE EDGE CONDITION DETAILS

SHEET
SK-19



STRUCTURAL FRAME

SHEET
SK-20